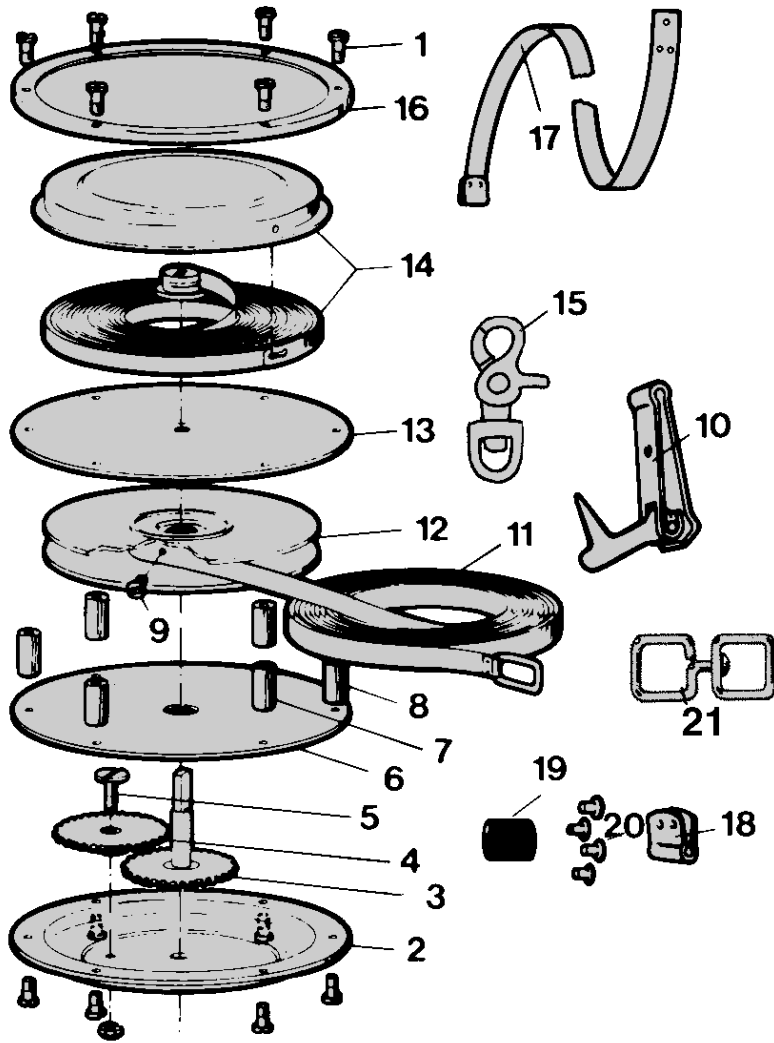
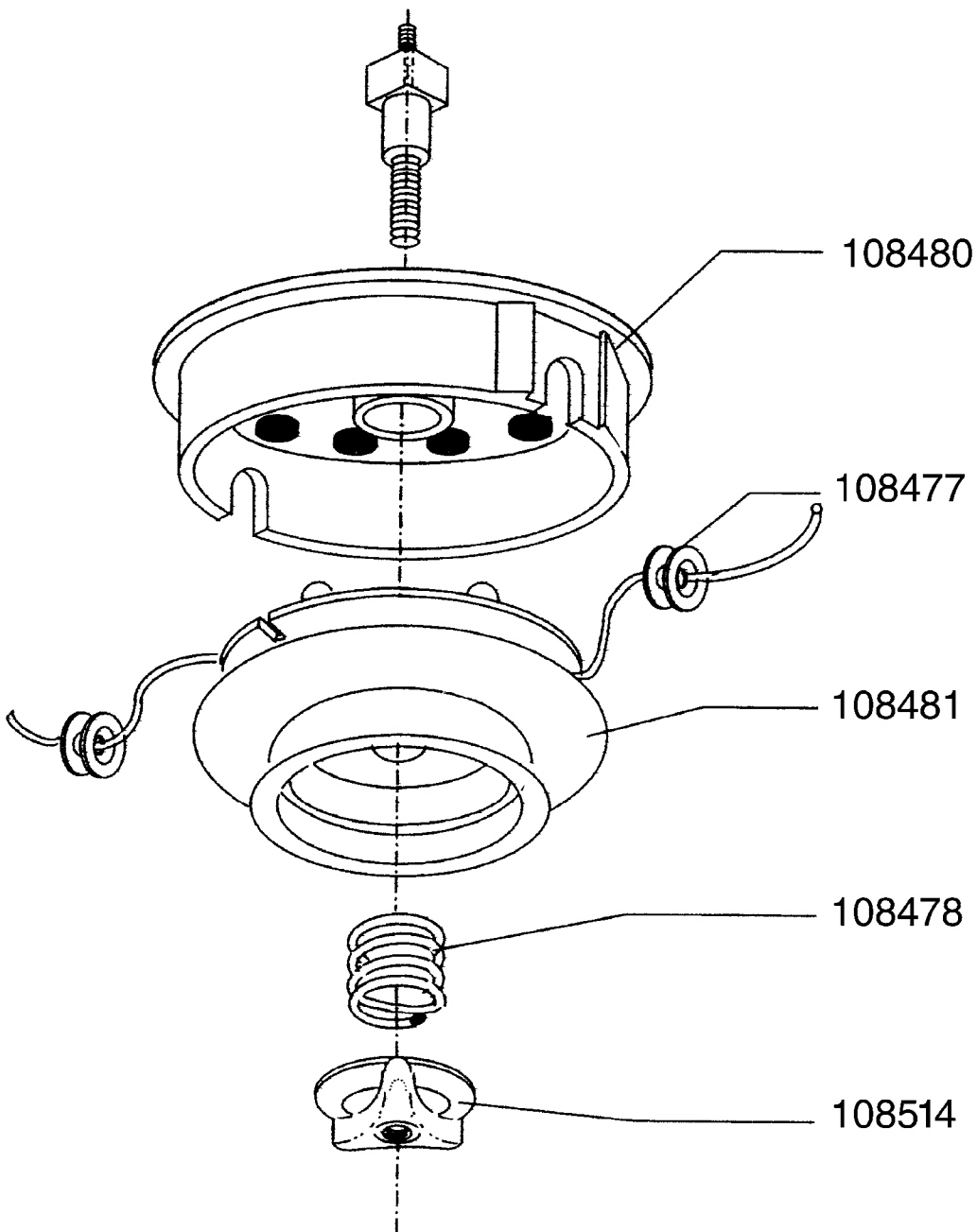
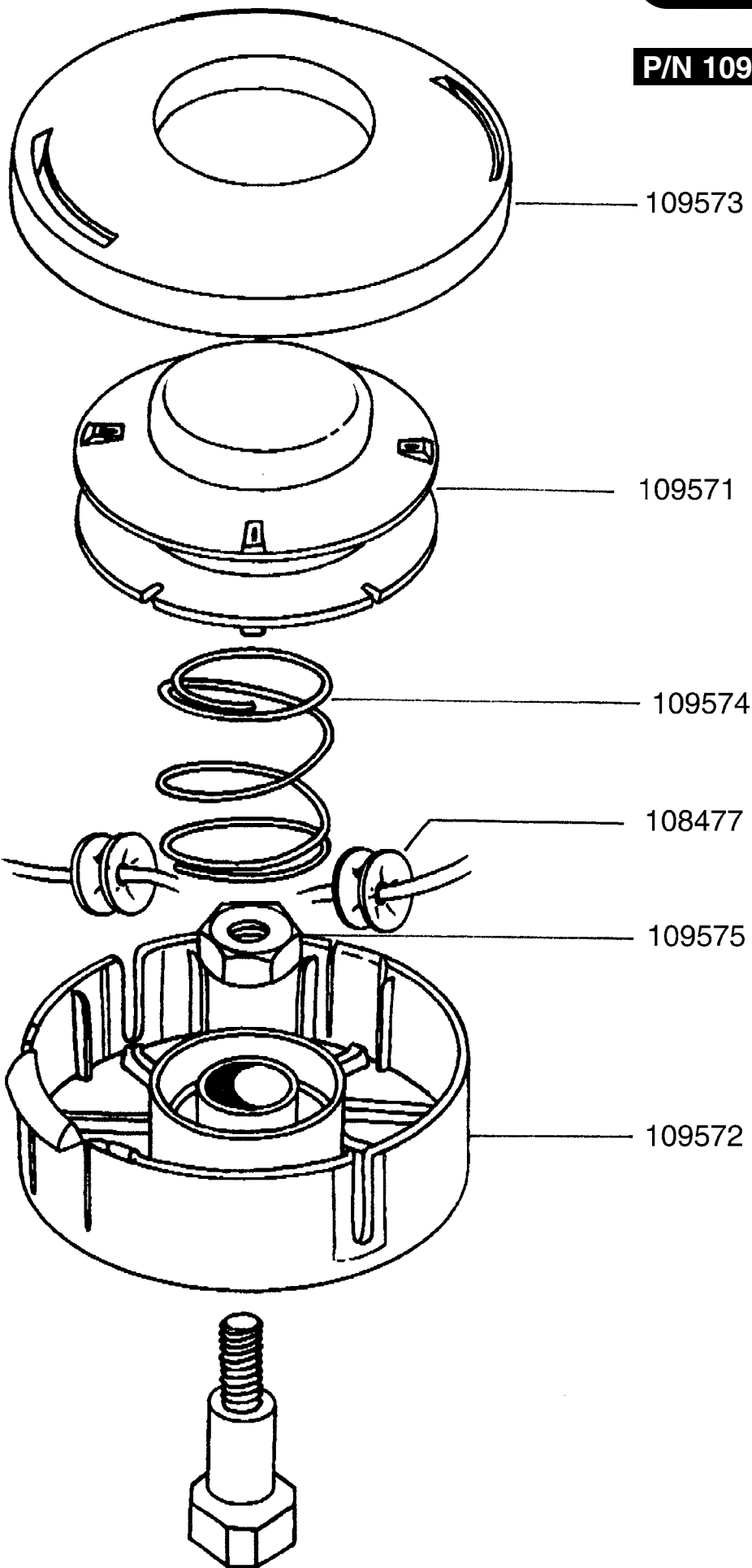


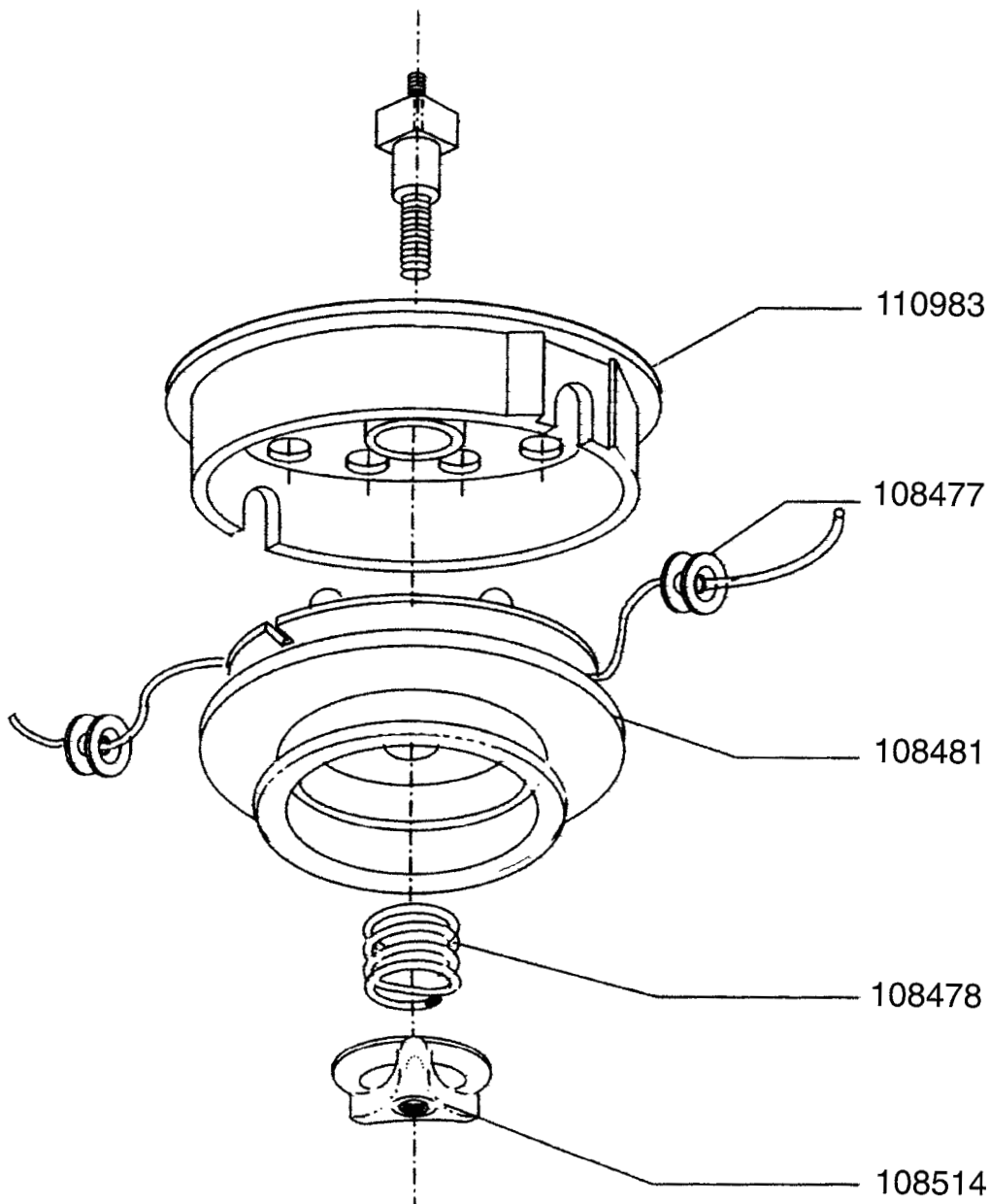
P/N 106510  
P/N 106511  
P/N 106512  
P/N 106513

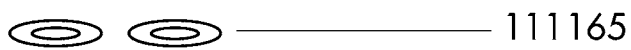
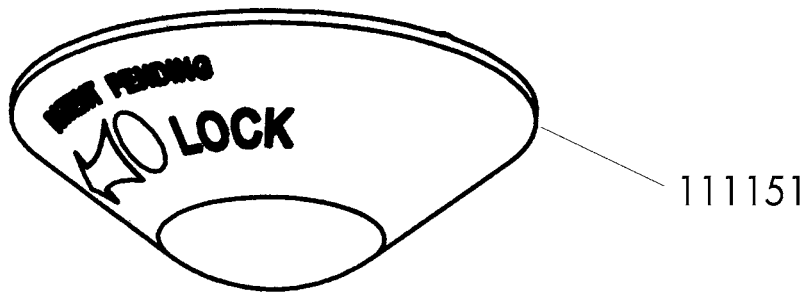
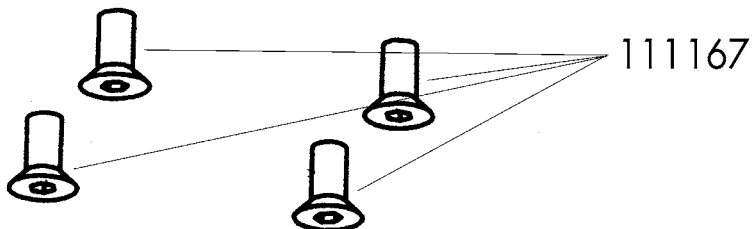
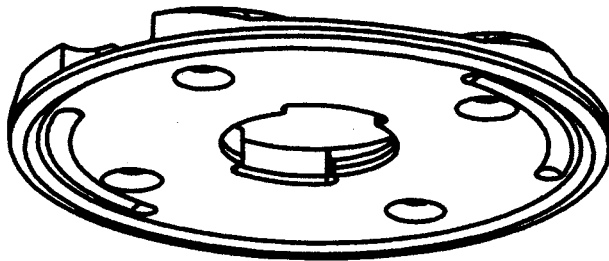
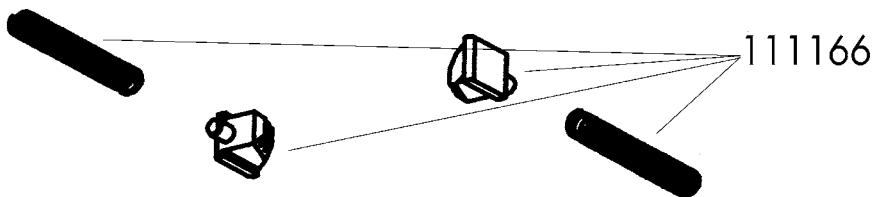
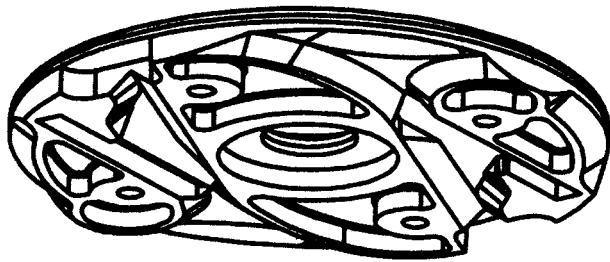


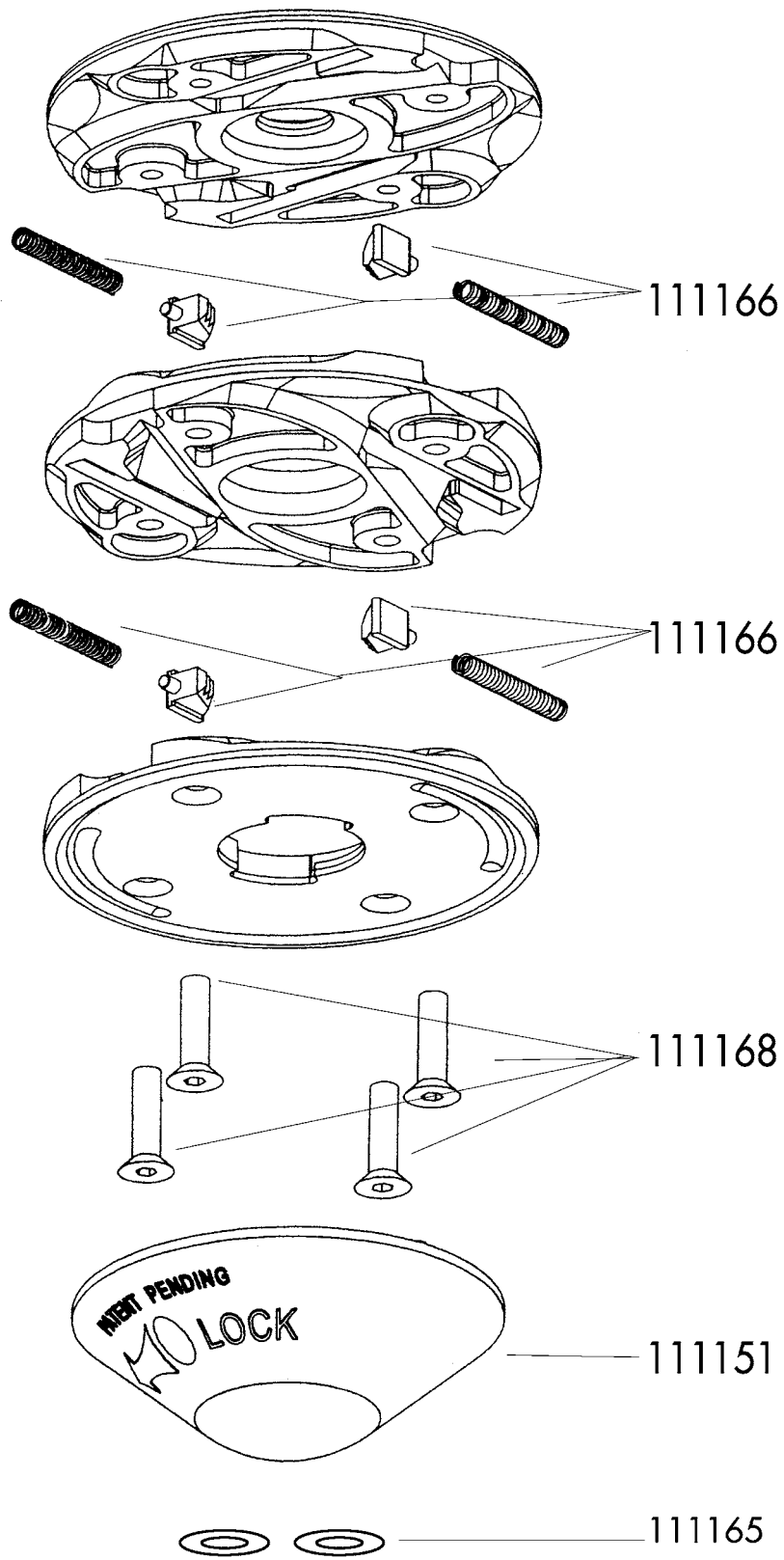
LOGGER'S TAPE PART NUMBER	P/N 106510	P/N 106511	P/N 106512	P/N 106513
<b>Parts description</b>	15m	50'/15m	20m	25m
1. Post screw	106482	106482	106482	106482
2. Gear housing with bearing	106473	106473	106473	106474
3. Main shaft and gear	106477	106477	106477	106477
4. Idler gear and pinion	106478	106478	106478	106478
5. Idler bearing with screw,nut	106479	106479	106479	106479
6. Gear cover plate	106466	106466	106466	106467
7. Nylon guide post with screws	106480	106480	106480	106480
8. Spacer post with 2 screws	106495	106495	106495	106495
9. Tape refill screw	106483	106483	106483	106483
10. Release hook	106492	106492	106492	106492
11. Tape refill blade with release hook	106459	106497	106461	106463
12. Spool with pinion gear	106475	106475	106475	106476
13. Spring cover plate with bearing	106468	106468	106468	106469
14. Spring assembly complete	106515	106515	106515	106516
15. Hanger and swivel clip	106494	106494	106494	106494
16. Locking ring	106464	106464	106464	106465
17. 1/2 metre plastic end	106499	106499	106499	106499
1 metre plastic end	106500	106500	106500	106500
18. Hinge	106484	106484	106484	106484
19. Rubber stop	106486	106486	106486	106486
20. Extra long eyelets (500-pack)	106488	106488	106488	106488
<b>Not illustrated:</b>				
Tape repair end 19" with release hook	106489	106489	106489	106489
25 metre bulk leader tape	106490	106490	106490	106490

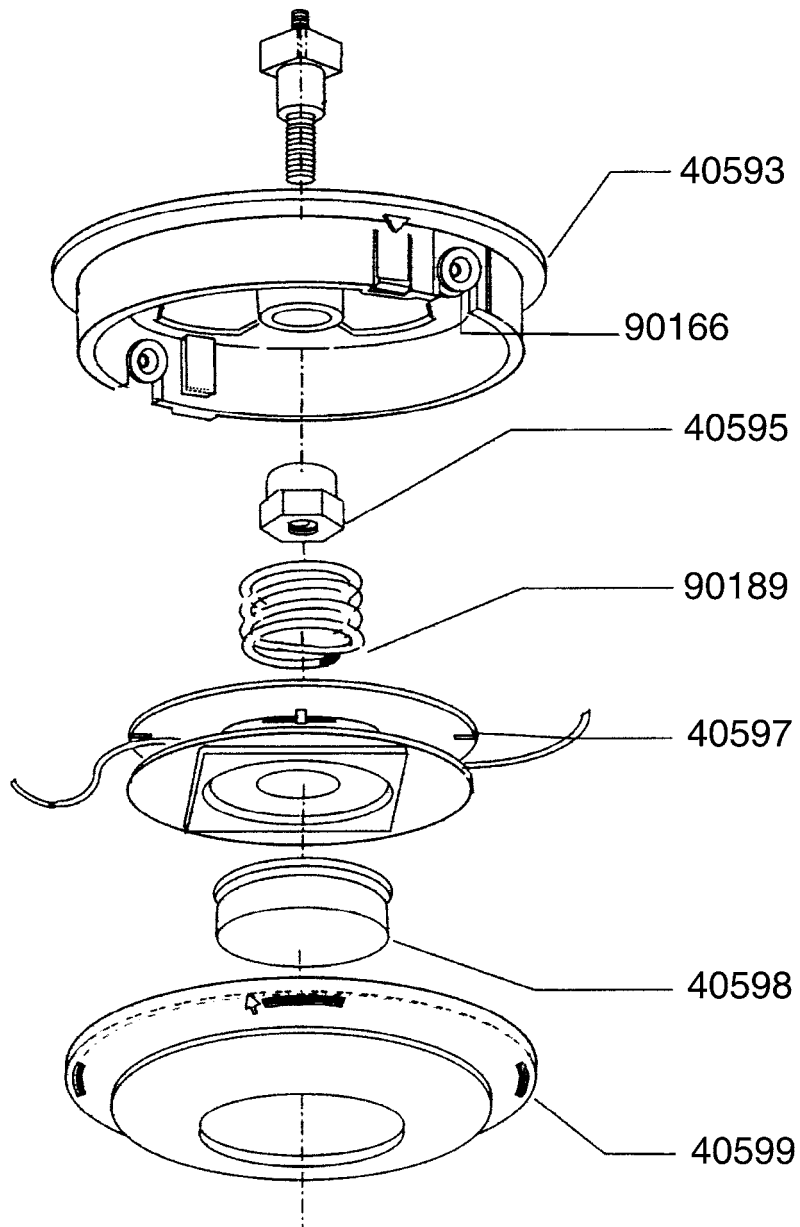


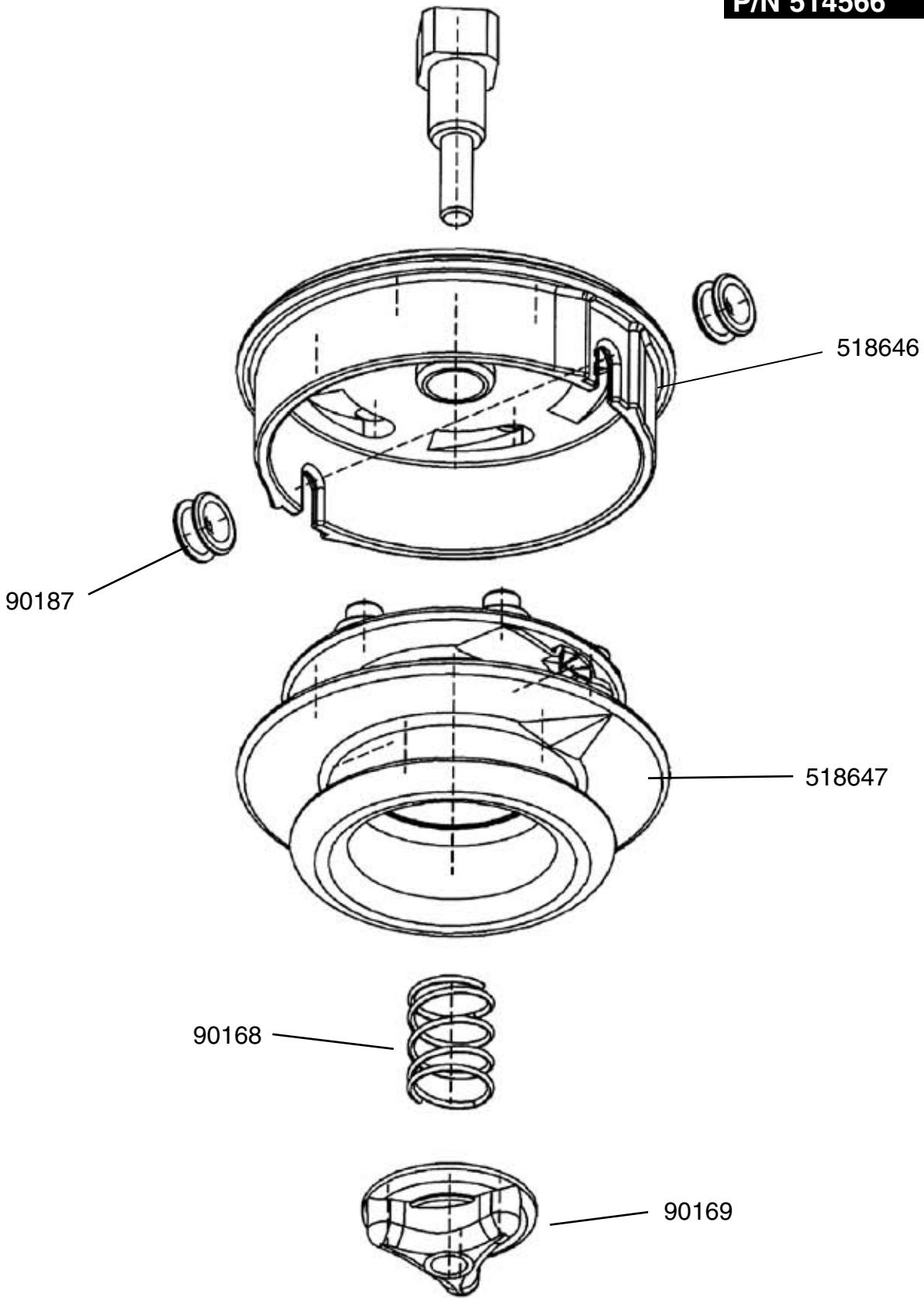






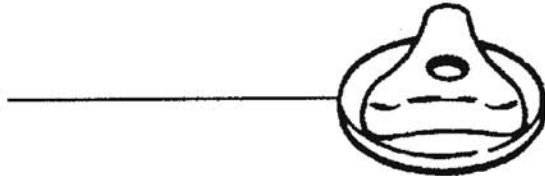




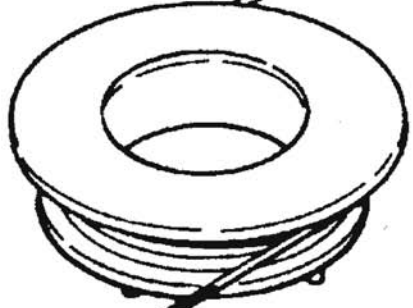
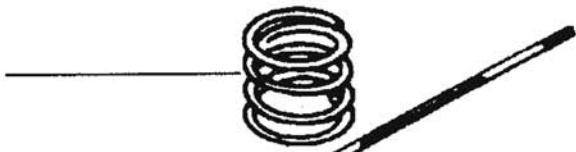




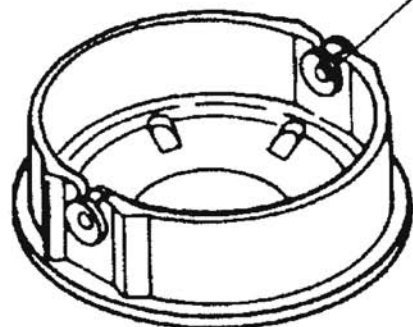
90169  
90169R

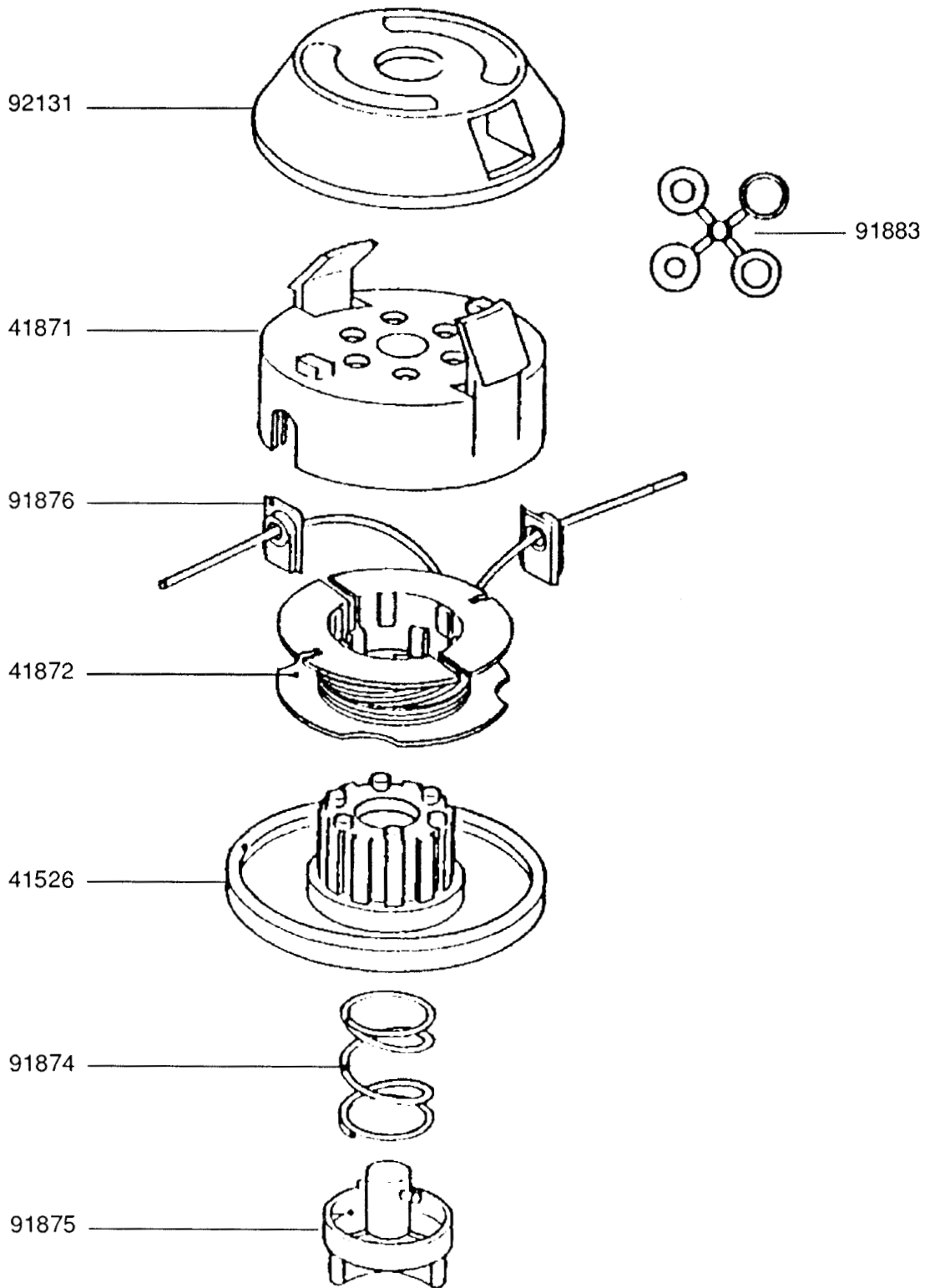


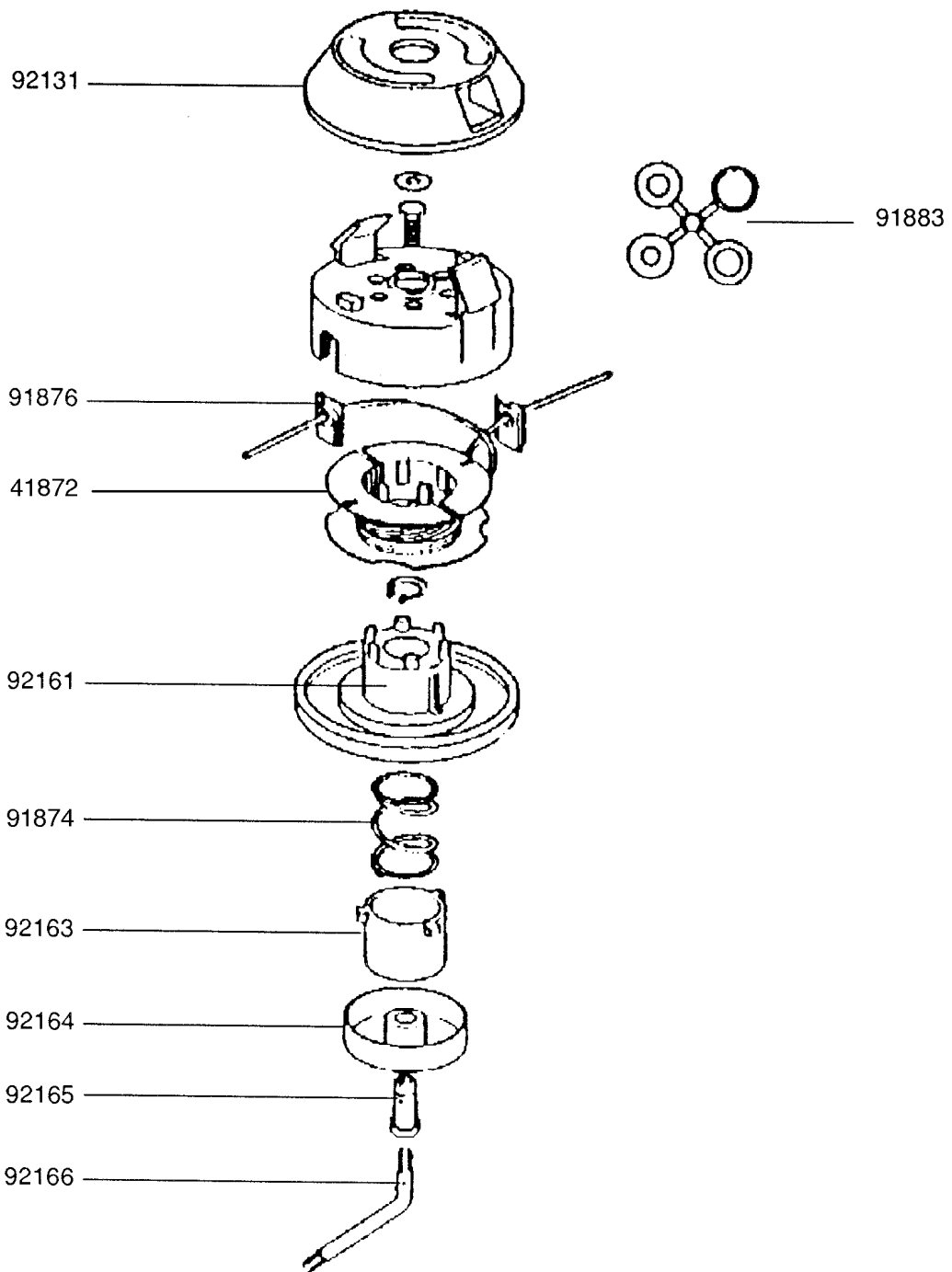
90168



90166

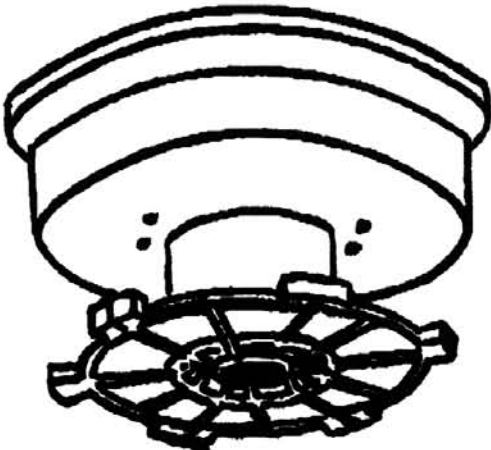








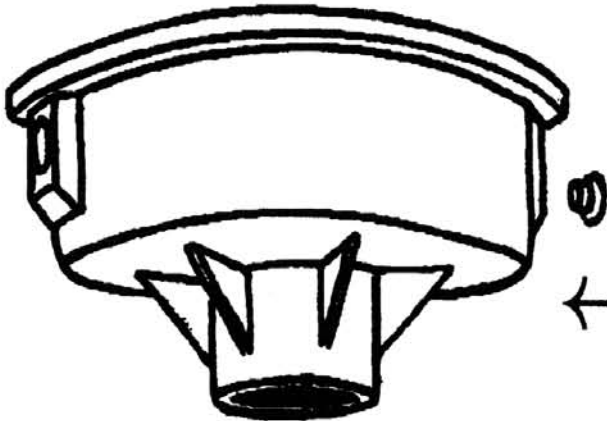
← **Knob**  
295294



**Spool** →  
295291



**Spring** →  
295293

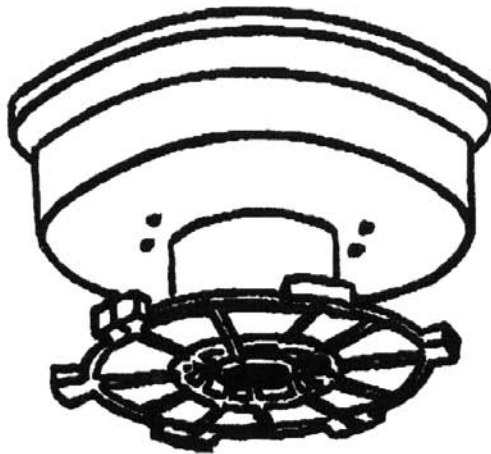


**Eyelet** →   
295292

← **Body**  
295296



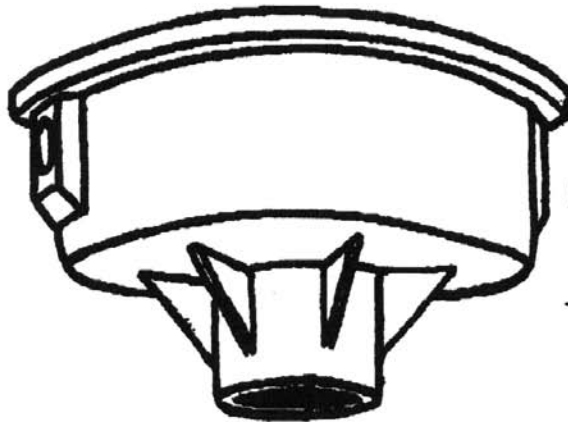
**KNOB**  
295294



**SPOOL**  
295291



**SPRING**  
295293



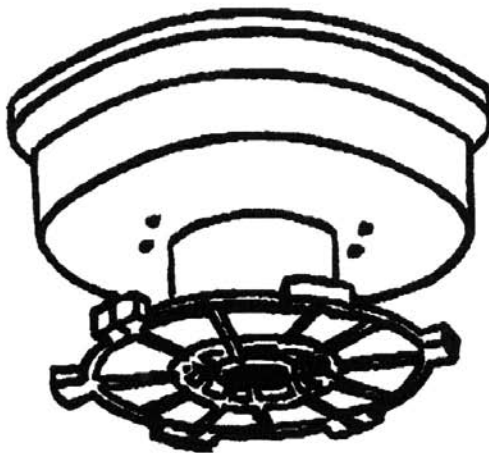
**EYELET**  
295292



**BODY**  
295297



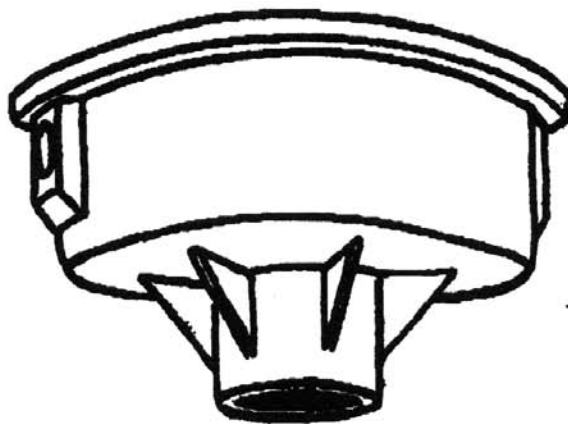
**KNOB**  
295295



**SPOOL**  
295291



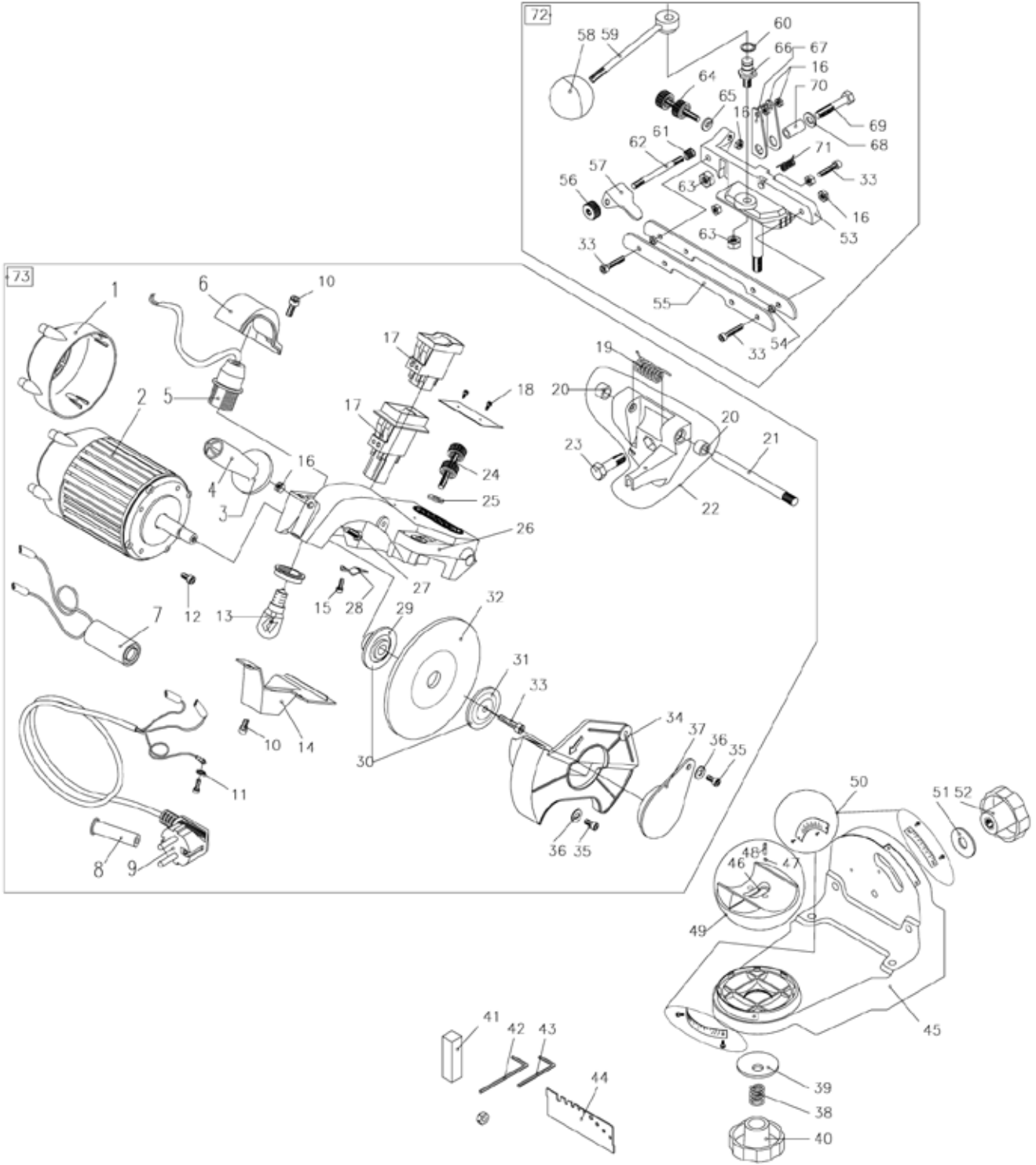
**SPRING**  
295293



**EYELET**  
295292



**BODY**  
295298

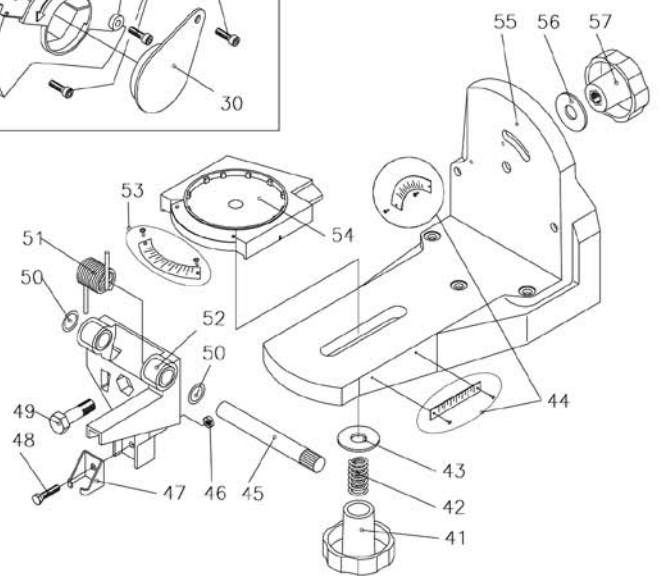
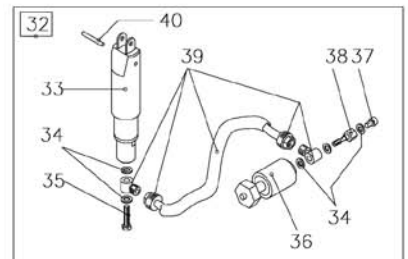
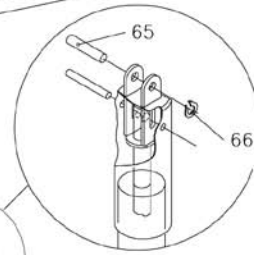
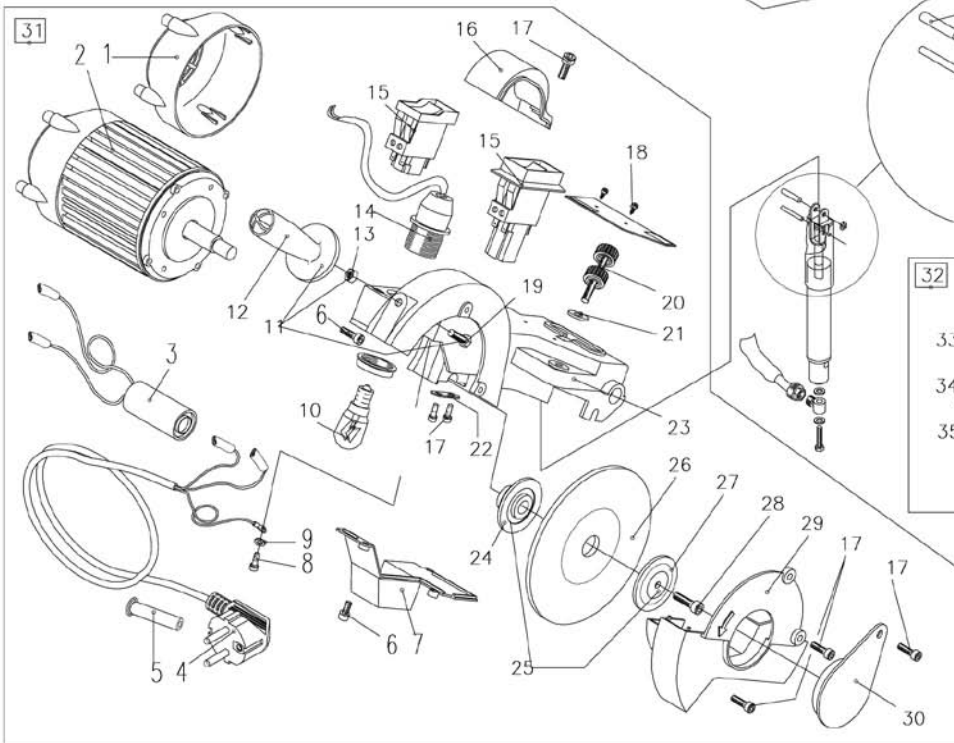
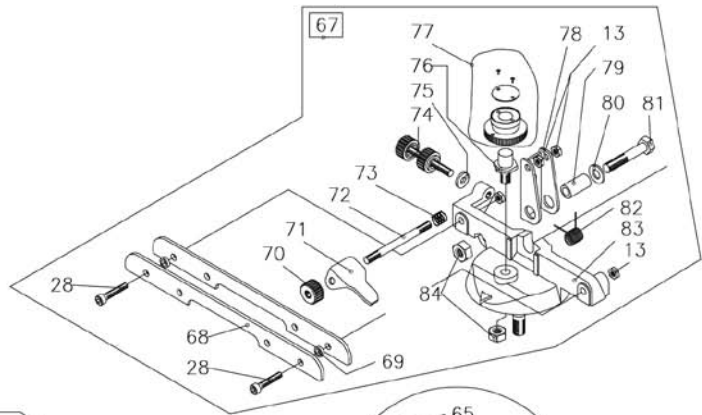




**P/N 32653A**

REF.	OREGON® P/N	QTY	DESCRIPTION
1	<b>G003</b>	1	FAN COVER (BLACK)
2	<b>G002</b>	1	E-MOTOR 230V
3 (4+6+27)	<b>104284</b>	1	HANDLE KIT
5	<b>108505</b>	1	LAMP SOCKET E14
6	<b>108199</b>	1	LAMP COVER
7	<b>G035</b>	1	CAPACITOR 450V AC 5MF (230V)
9	<b>111033</b>	1	CABLE KIT 230V C/W PLUG
9	<b>111034</b>	1	CABLE KIT C/W PLUG
9	<b>111035</b>	1	CABLE KIT C/W AUS. PLUG
10	<b>G040</b>	5	ZINC PLATED UNI SCREW
16	<b>G066</b>	7	UNI ZINC NUT
17	<b>108499</b>	1	230V ELECTRICAL SWITCH
19	<b>G042</b>	1	ARM SPRING
20	<b>G044</b>	2	BUSHING
21	<b>G045</b>	1	ARM ADJUSTING PIVOT
22	<b>G043</b>	1	ARM BEAR. BRACKET C/W BUSH. (BLACK)
24	<b>109243</b>	1	PAWL ADJUSTING C/W STOP (BLACK)
25	<b>G028</b>	1	RUBBER WASHER
26 (4+16+27+6)	<b>106371</b>	1	ARM BODY (BLACK)
29	<b>108925</b>	1	INNER WHEEL HOLDING FLANGE
30	<b>108924</b>	1	MOTOR ARBOR AND FLANGE KIT
31	<b>108926</b>	1	OUTER WHEEL FIXING FLANGE
32	<b>32659</b>	1	GRINDING WHEEL 145X22X3,2 (1/4"-.325"-.3/8"-.91)
32	<b>32660</b>	1	GRIND. WHEEL 145X22X4,7 (.3/8"-.404")
32	<b>32661</b>	1	GRINDING WHEEL 145X22X6,0 (depth regulator)
33	<b>G071</b>	4	ZINC PLATED UNI SCREW
34	<b>G082</b>	1	WHEEL PROTECTION SHIELD
37	<b>104872</b>	1	ADDITIONAL PROTECTION PART
38	<b>G057</b>	1	SPRING FOR KNOB
39	<b>G056</b>	1	WASHER FOR KNOB
40	<b>109245</b>	1	WISE FIXING KNOB (BLACK)
41	<b>G088</b>	1	DRESSING BRICK
43	<b>G087</b>	1	ALLEN WRENCH 4
44	<b>G089</b>	1	TEMPLATE
46	<b>G053</b>	1	SWIVEL PLATE
47	<b>G052</b>	2	BALL
48	<b>G051</b>	2	SPRING
49	<b>104874</b>	1	WISE SWIVEL PLATE KIT
50	<b>104873</b>	1	PLATE AND SCREWS KIT
52	<b>109246</b>	1	ARM FIXING KNOB (BLACK)
53	<b>G072</b>	1	WISE
54	<b>35610</b>	2	WISE SPACES
55	<b>107637</b>	1	JAWS FOR VISE (1 pc)
56	<b>G061</b>	1	ADJUSTING KNOB
57	<b>G060</b>	1	CHAIN STOP PAWL
58	<b>G022</b>	1	HANDLE KNOB
59	<b>G062</b>	1	CAM SHAFT C/W HANDLE AND KNOB
60	<b>G063</b>	1	STOP RING
61	<b>G059</b>	1	PAWL SPRING
62	<b>G065</b>	1	PAWL HOLDING PIN
64	<b>G074</b>	1	PAWL ADJUSTING C/W STOP (RED)
66	<b>G073</b>	1	CAM HOLDING PIVOT
67	<b>35599</b>	1	CHAIN STOP HOLDER
69	<b>35609</b>	1	UNI SCREW ZINC PLATED
70	<b>G069</b>	1	CHAIN STOP HOLDING BUSHING
71	<b>G070</b>	1	SPRING FOR CHAIN STOP HOLDER
72	<b>110597</b>	1	COMPLETE VISE KIT
73	<b>104875</b>	1	ARM C/W 230V E-MOTOR ASS. (BLACK)

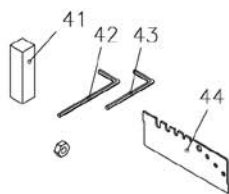
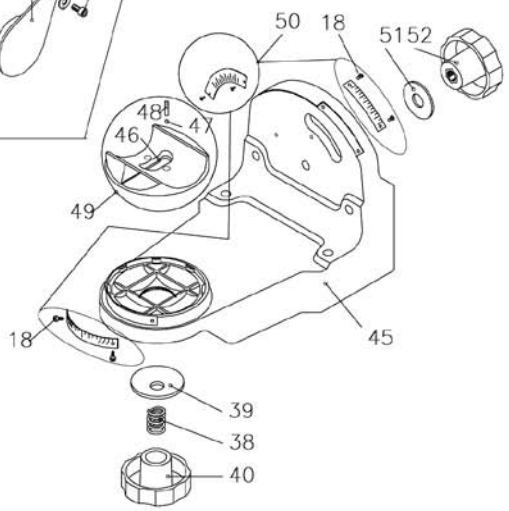
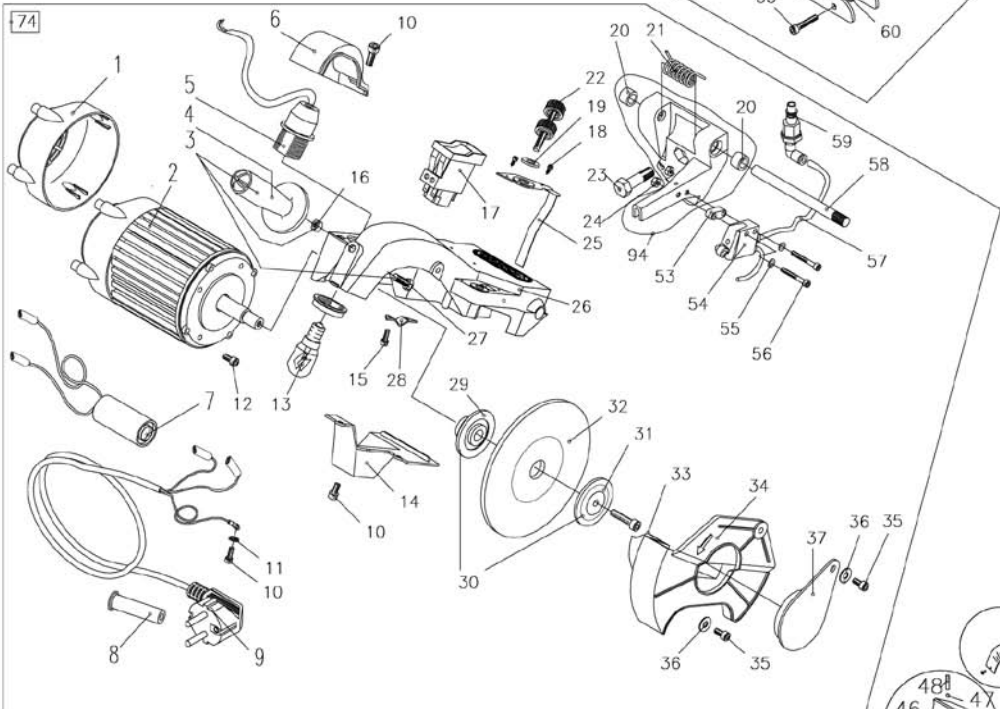
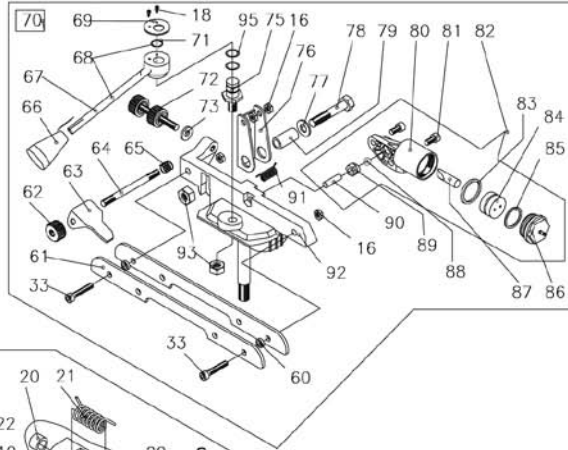






**P/N 106540**

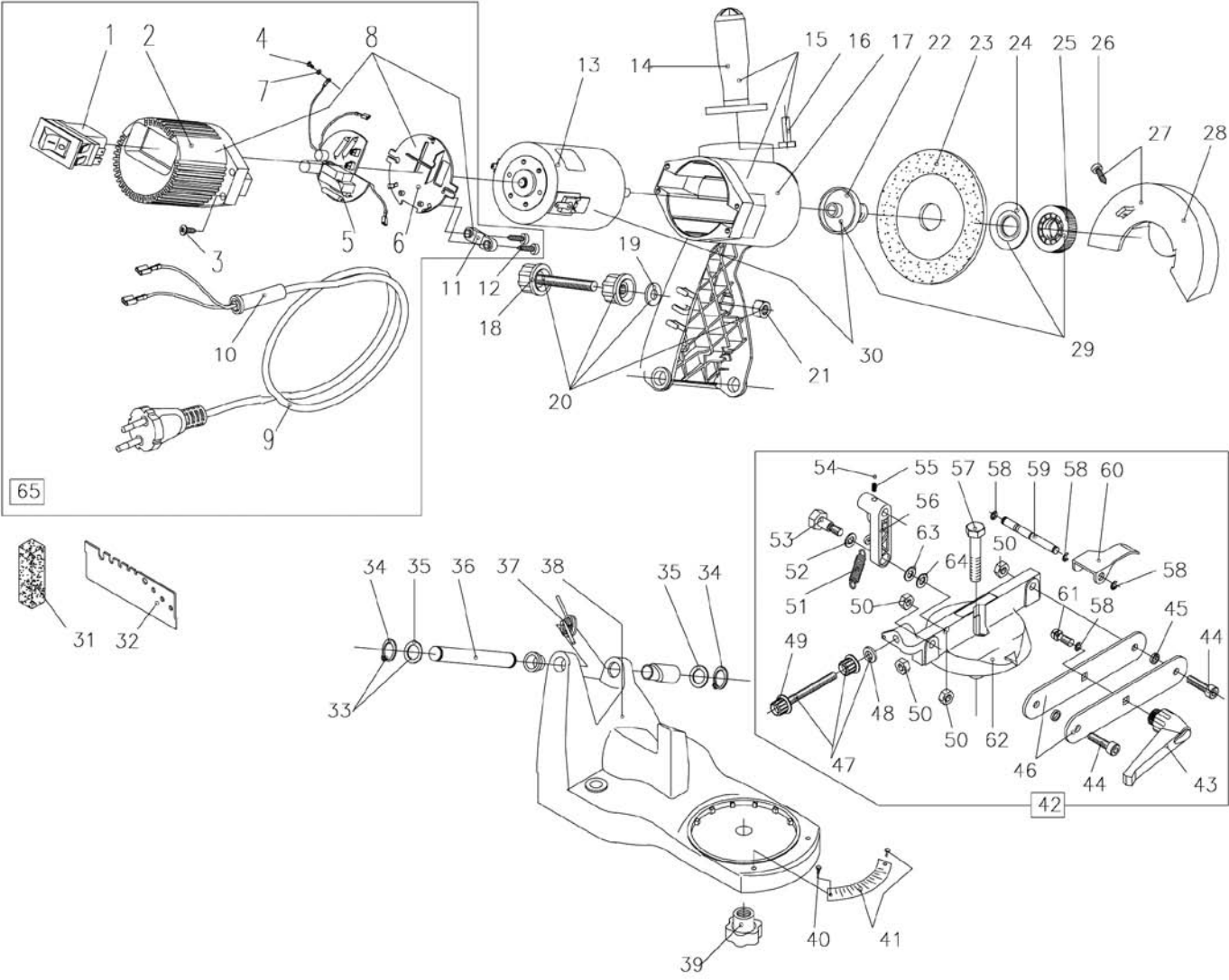
REF.	OREGON® P/N	QTY	DESCRIPTION
1	<b>G003</b>	1	FAN COVER
2	<b>G002</b>	1	E-MOTOR 230V
3	<b>G035</b>	1	CAPACITOR 450VAC 5MF (230V)
4	<b>111033</b>	1	CABLE KIT 230 V C/W PLUG
4	<b>111034</b>	1	CABLE KIT C/W PLUG
4	<b>111035</b>	1	CABLE KIT C/W AUS. PLUG
7	<b>108496</b>	1	E-CARDBOARD COVER
11	<b>104284</b>	1	HANDLE KIT
13	<b>G066</b>	5	UNI ZINC NUT
14	<b>108505</b>	1	LAMP SOCKET E14
15	<b>108499</b>	1	230V ELECTRICAL SWITCH
16	<b>108199</b>	1	LAMP COVER
17	<b>G040</b>	6	UNI ZINC SCREW
18	<b>109174</b>	8	UNI ZINC SCREW
20	<b>109243</b>	1	ARM ADJUSTING
21	<b>G028</b>	1	RUBBER WASHER
23	<b>108495</b>	1	ARM BODY (BLACK)
24	<b>108925</b>	1	INNER WHEEL HOLDING FLANGE
25	<b>108924</b>	1	MOTOR ARBOR AND FLANGE KIT
26	<b>32659</b>	1	GRINDING WHEEL 145X22X3,2 (1/4"-.325"-.3/8"-91)
26	<b>32660</b>	1	GRIND. WHEEL 145X22X4,7 (.3/8"-.404")
26	<b>32661</b>	1	GRINDING WHEEL 145X22X6,0 (depth regulator)
27	<b>108926</b>	1	OUTER WHEEL FIXING FLANGE
28	<b>G071</b>	3	ZINC PLATED UNI SCREW
29	<b>109248</b>	1	WHEEL PROTECTION SHIELD
30	<b>104872</b>	1	ADDITIONAL PROTECTION PART
31	<b>108494</b>	1	ARM C/W 230V E-MOTOR ASSEMBLY
31	<b>111032</b>	1	ARM C/W 230V E-MOT. ASSEM. - AUS PLUG
31	<b>111031</b>	1	ARM C/W 230V E-MOT. ASSEM. - CH PLUG
32	<b>108493</b>	1	COMPLETE HYDRAULIC LOCK SYSTEM
33	<b>109249</b>	1	MAIN HYDRAULIC CYLINDER COMPLETE
34	<b>109252</b>	5	COPPER WASHER
35	<b>109253</b>	1	DOUBLE HOLLOW NIPPLE
36	<b>109256</b>	1	COMPLETE CHAIN TIGHTENING CYLINDER
39	<b>111217</b>	1	COMPLETE HYDRAULIC LINE ASSEMBLY
41	<b>109245</b>	1	WISE FIXING KNOB
42	<b>G057</b>	1	SPRING FOR KNOB
43	<b>G056</b>	1	WASHER FOR KNOB
44	<b>108497</b>	1	SCREW AND PLATE KIT
47	<b>109250</b>	1	MAIN CYLINDER BRACKET
51	<b>35589</b>	1	ARM SPRING
53	<b>108468</b>	1	SCREW AND PLATE KIT FOR VISE SWING.
54	<b>108501</b>	1	WISE SUPPORTING SLIDE
55	<b>108498</b>	1	BASEMENT (BLACK)
57	<b>109246</b>	1	ARM LIGHTENING KNOB
59	<b>G088</b>	1	DRESSING BRICK
60	<b>G089</b>	1	TEMPLATE
61	<b>G087</b>	1	ALLEN WRENCH 4
67	<b>108504</b>	1	COMPLETE VISE KIT
68	<b>107637</b>	1	WISE JAWS (1 pc)
69	<b>35610</b>	2	WISE SPACERS KIT
70	<b>108503</b>	1	ADJUSTING KNOB (BLACK)
71	<b>G060</b>	1	CHAIN STOP PAWL
72	<b>G065</b>	1	PAWLS HOLDING PIN
73	<b>G059</b>	1	PAWL SPRING
74	<b>109244</b>	1	PAWLS ADJUSTING C/W STOP (BLACK)
77	<b>109247</b>	1	CHAIN TIGHTENING CAM KIT
78	<b>35599</b>	1	CHAIN STOP HOLDER
79	<b>G069</b>	1	CHAIN STOP HOLDING BUSHING
81	<b>35609</b>	1	UNI SCREW ZINC PLATED
82	<b>G070</b>	1	SPRING FOR CHAIN STOP HOLDER





**P/N 106360**

REF.	OREGON® P/N	QTY	DESCRIPTION
1	<b>G003</b>	1	FAN COVER (BLACK)
2	<b>G002</b>	1	E-MOTOR 230V
5	<b>108505</b>	1	LAMP SOCKET E14
6	<b>108199</b>	1	LAMP COVER
7	<b>G035</b>	1	CAPACITOR 450V AC 5MF (230V)
9	<b>111033</b>	1	CABLE KIT 230V C/W PLUG
9	<b>111034</b>	1	CABLE KIT C/W PLUG
10	<b>G040</b>	5	ZINC PLATED UNI SCREW
16	<b>G066</b>	5	UNI ZINC NUT
17	<b>108499</b>	1	230V ELECTRICAL SWITCH
19	<b>G028</b>	1	RUBBER WASHER
20	<b>G044</b>	2	BUSHING
21	<b>G042</b>	1	ARM SPRING
22	<b>G029</b>	1	PAWL ADJUSTING C/W STOP (RED)
25	<b>105991</b>	1	MICRO SWITCH CONTROL
26	<b>106371</b>	1	ARM BODY (BLACK)
29	<b>108925</b>	1	INNER WHEEL HOLDING FLANGE
30	<b>108924</b>	1	MOTOR ARBOR AND FLANGE KIT
31	<b>108926</b>	1	OUTER WHEEL FIXING FLANGE
32	<b>32659</b>	1	GRINDING WHEEL 145X22X3,2 (1/4"-.325"-.3/8"-91)
32	<b>32660</b>	1	GRIND. WHEEL 145X22X4,7 (.3/8"-.404")
32	<b>32661</b>	1	GRINDING WHEEL 145X22X6,0 (depth regulator)
33	<b>G071</b>	3	UNI SCREW
34	<b>G082</b>	1	WHEEL PROTECTION SHIELD
37	<b>104872</b>	1	ADDITIONAL PROTECTION PART
38	<b>G057</b>	1	SPRING FOR KNOB
39	<b>G056</b>	1	WASHER FOR KNOB
40	<b>109245</b>	1	WISE FIXING KNOB (BLACK)
41	<b>G088</b>	1	DRESSING BRICK
43	<b>G087</b>	1	ALLEN WRENCH 4
44	<b>G089</b>	1	TEMPLATE
46	<b>G053</b>	1	SWIVEL PLATE
47	<b>G052</b>	2	BALL
48	<b>G051</b>	2	BALL SPRING
49	<b>104874</b>	1	WISE SWIVEL PLATE KIT
50	<b>104873</b>	1	PLATE AND SCREWS KIT
52	<b>109246</b>	1	ARM FIXING KNOB (BLACK)
54	<b>105994</b>	1	MICRO SWITCH EVM100-4N-01
58	<b>G045</b>	1	ARM ADJUSTING PIVOT
60	<b>35610</b>	2	WISE SPACER
61	<b>107637</b>	1	JAWS FOR VISE (1 pc)
62	<b>G061</b>	1	ADJUSTING KNOB (RED)
63	<b>G060</b>	1	CHAIN STOP PAWL
64	<b>G065</b>	1	PAWL HOLDING PIN
65	<b>G059</b>	1	PAWL SPRING
66	<b>G022</b>	1	HANDLE
68	<b>106376</b>	1	CAM SHAFT KIT
70	<b>106375</b>	1	COMPLETE VISE KIT
71	<b>G063</b>	1	STOP RING
72	<b>G074</b>	1	PAWL ADJUSTING C/W STOP (RED)
74	<b>106373</b>	1	ARM C/W 230V ASV MOTOR (BLACK)
74	<b>106374</b>	1	ARM C/W 230V ASV MOTOR CH (BLACK)
75	<b>G073</b>	1	CAM HOLDING PIVOT
76	<b>35599</b>	1	CHAIN STOP HOLDER
78	<b>35609</b>	1	UNI SCREW ZINC PLATED
79	<b>G069</b>	1	CHAIN STOP HOLDING BUSHING
82	<b>105993</b>	1	COMPLETE CYLINDER BODY
91	<b>G070</b>	1	SPRING FOR CHAIN STOP HOLDER
92	<b>G072</b>	1	VISE
94	<b>G043</b>	1	ARM BEAR. BRACKET C/W BUSH. (BLACK)



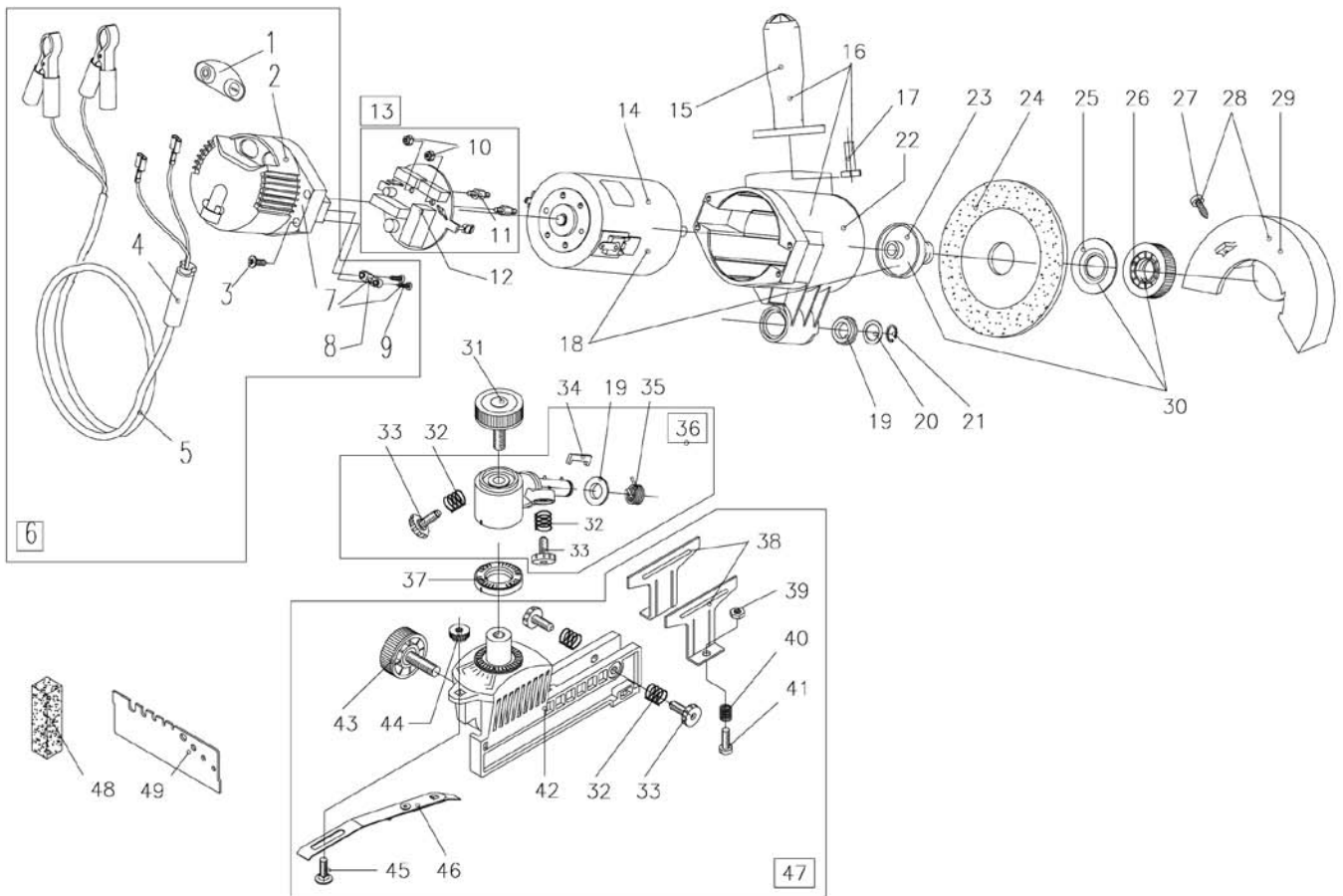
65

42



**P/N 106550**

REF.	OREGON® P/N	QTY	DESCRIPTION
1	<b>108499</b>	1	SWITCH 230V
5	<b>111017</b>	1	120V/230V ELECTRIC CARDBOARD
8	<b>111014</b>	1	COVER AND HOLDING PLATE KIT
9	<b>111025</b>	1	ELECTRICAL CABLE KIT 230V
9	<b>111026</b>	1	ELECTRICAL CABLE KIT 230V - CH PLUG
9	<b>111027</b>	1	ELECTRICAL CABLE KIT 230V - AUS PLUG
15	<b>111028</b>	1	HANDLE KIT
19	<b>G028</b>	1	RUBBER WASHER
20	<b>108205</b>	1	ARM ADJUSTING KIT
22	<b>109596</b>	1	WHEEL HOLDING ARBOR
23	<b>106547</b>	1	GRINDING WHEEL 105X22X3,2 (1/4"-.325"-.3/8"-.91)
23	<b>106548</b>	1	GRIND. WHEEL 105X22X4,7 (.3/8"-.404")
23	<b>106549</b>	1	GRINDING WHEEL 105X22X6,0 (depth regulator)
25	<b>109169</b>	1	WHEEL TIGHTENING NUT
27	<b>109170</b>	1	WHEEL PROTECT. KIT - SHIELD AND SCR.
29	<b>108465</b>	1	WHEEL FIXING AND TIGHTENING KIT
30	<b>111018</b>	1	E-MOTOR AND ARBOR KIT 230V
31	<b>G088</b>	1	DRESSING BRICK
32	<b>G089</b>	1	TEMPLATE
33	<b>108463</b>	1	ARM WASHERS KIT
37	<b>109175</b>	1	ARM RETURN SPRING
38	<b>108467</b>	1	BASEM. CIW BUSHING AND PLATE
39	<b>108290</b>	1	VICE TIGHTENING KNOB
41	<b>108468</b>	1	VICE SCREWS AND PLATE KIT
42	<b>108476</b>	1	COMPLETE VISE
43	<b>109171</b>	1	VICE TIGHTENING LEVIER
45	<b>35610</b>	2	JAWS SPACERS
46	<b>109172</b>	2	VICE JAWS
47	<b>108473</b>	1	CHAIN ADJUSTING SCREW KIT
51	<b>109174</b>	1	CHAIN STOP RETURN SPRING
53	<b>108472</b>	1	CHAIN STOP HOLDER RETURN SPRING
59	<b>108475</b>	1	CHAIN STOP PAWL PIN
60	<b>G060</b>	1	CHAIN STOP PAWL
61	<b>108474</b>	1	JAWS LIGHTENER
63	<b>108469</b>	1	DIN WASHER
65	<b>111019</b>	1	COMPLETE ELECTRICAL CABLE 230V
65	<b>111020</b>	1	COMPL. ELECTRICAL CABLE 230V - CH -
65	<b>111021</b>	1	COMPL. ELECTRICAL CABLE 230V - AUS -

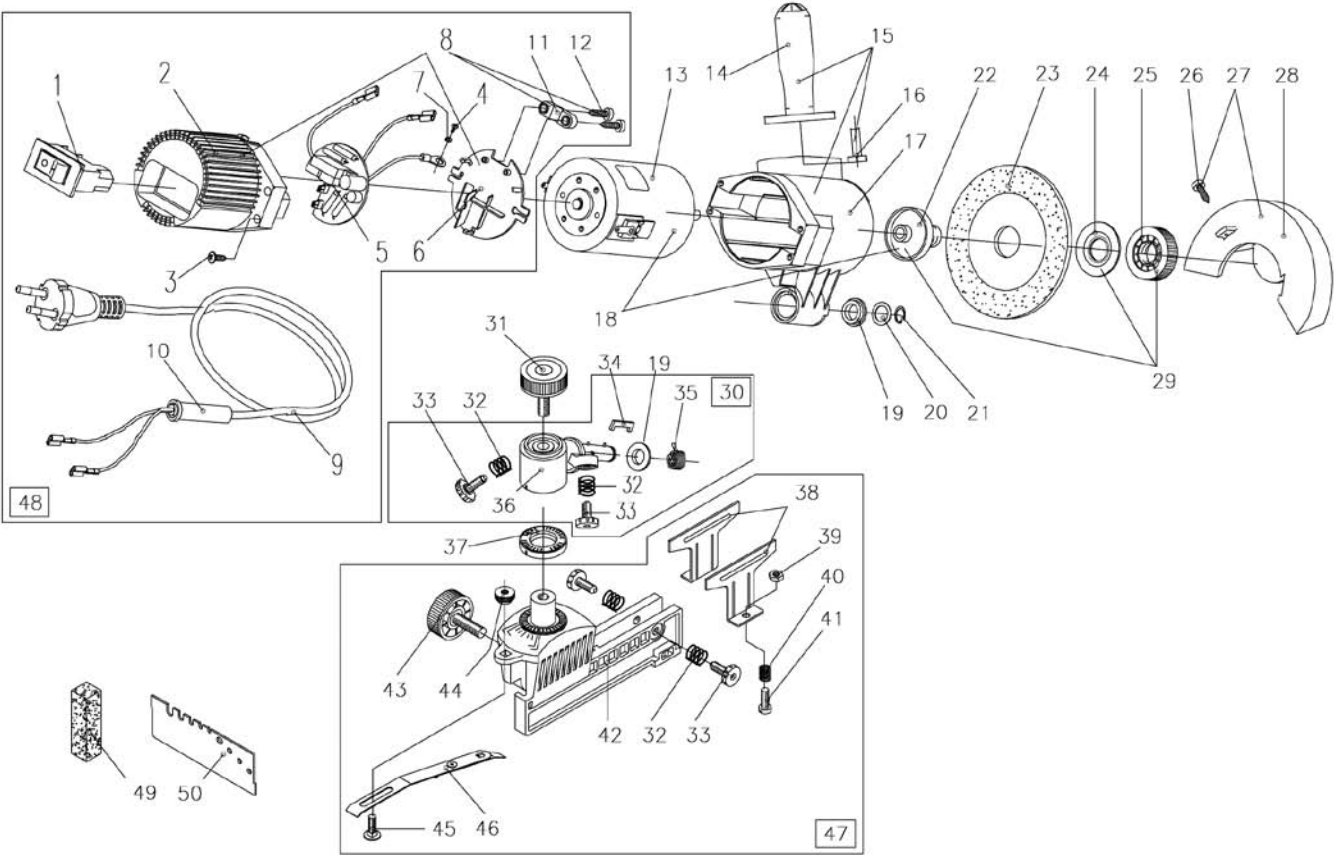




**P/N 108341**

REF.	OREGON® P/N	QTY	DESCRIPTION
5	<b>111024</b>	1	CABLE KIT 12V C/W TERMINALS
6	<b>108487</b>	1	CABLE KIT C/W MOTOR COVER
7	<b>111002</b>	1	MOTOR COVER C/W CABLE STOP
13	<b>108489</b>	1	E-CARDBOARD 12V
16	<b>111015</b>	1	MOTOR CASE C/W HANDLE
18	<b>111023</b>	1	MOTOR AND FLANGE KIT 12V
19	<b>106546</b>	2	BUSHING
20	<b>108484</b>	1	SHRIM WASHER
21	<b>108492</b>	1	SEEGER RING UNI 7435
23	<b>109596</b>	1	WHEEL HOLDING FLANGE
24	<b>106547</b>	1	GRINDING WHEEL 105X22X3,2 (1/4"-.325"-.3/8"-.91)
24	<b>106548</b>	1	GRIND. WHEEL 105X22X4,7 (.3/8"-.404")
24	<b>106549</b>	1	GRINDING WHEEL 105X22X6,0 (depth regulator)
26	<b>109169</b>	1	OUTER WHEEL FIXING KNOB
28	<b>109170</b>	1	WHEEL PROTECT. KIT-SHIELD AND SCR.
30	<b>108465</b>	1	WHEEL FIXING AND TIGHTENING KIT
31	<b>108486</b>	1	SWING HEAD FIXING KNOB
32	<b>108210</b>	2	SCALE KNOB SPRING
33	<b>108209</b>	2	ADJUSTING SCREW
34	<b>108485</b>	1	COMB
35	<b>108482</b>	1	DOUBLE REWRN SPRING
38	<b>108208</b>	2	JAW
40	<b>106543</b>	2	SPRING
43	<b>106544</b>	1	BASEMENT FI-NG KNOB
44	<b>108207</b>	1	STOP PAWL FIXING SCREW
46	<b>108206</b>	1	CHAIN STOP PAWL
47	<b>108490</b>	1	COMPLETE BASEMENT
48	<b>G088</b>	1	DRESSING BRICK
49	<b>G089</b>	1	TEMPLATE

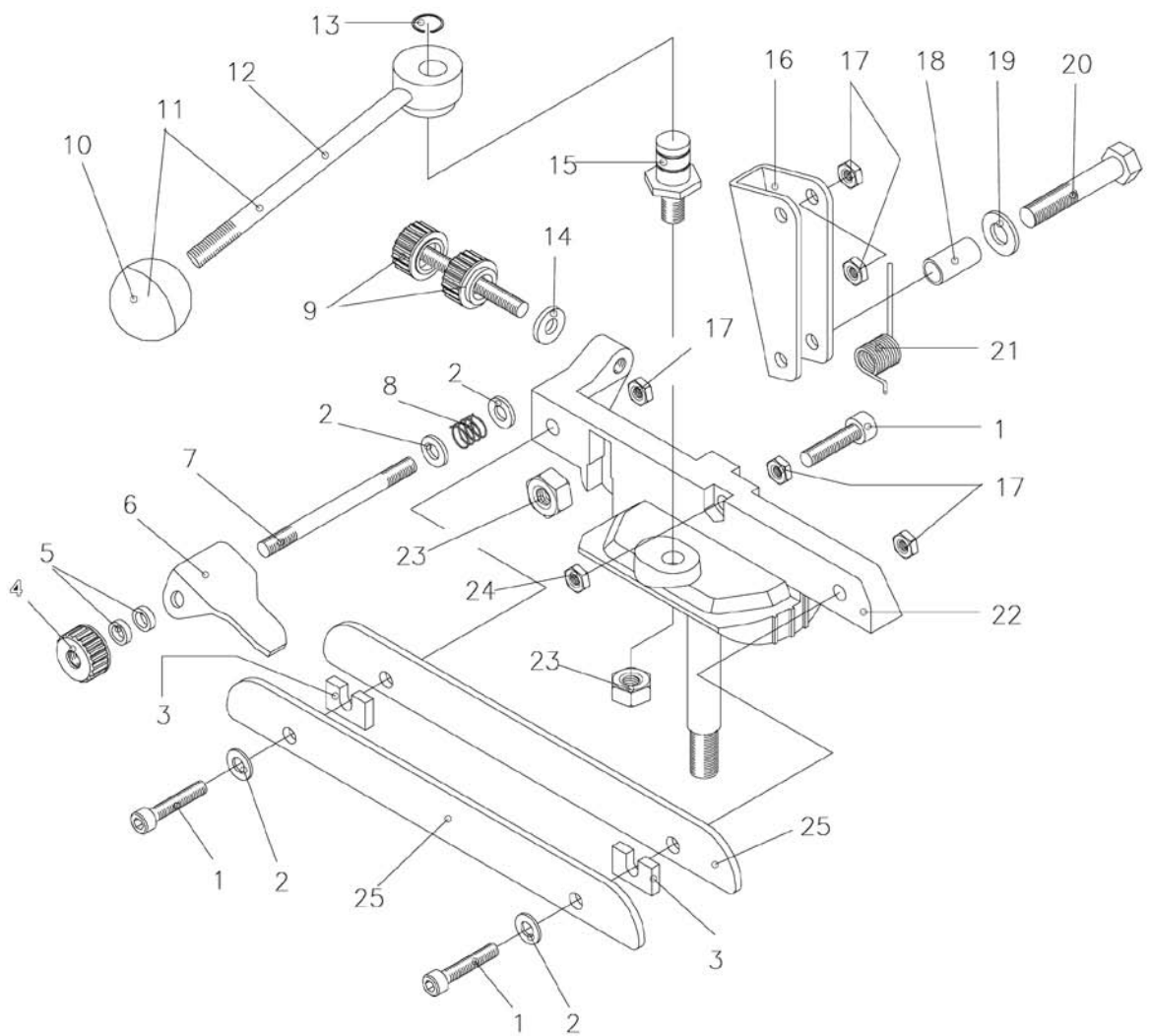






**P/N 108340**

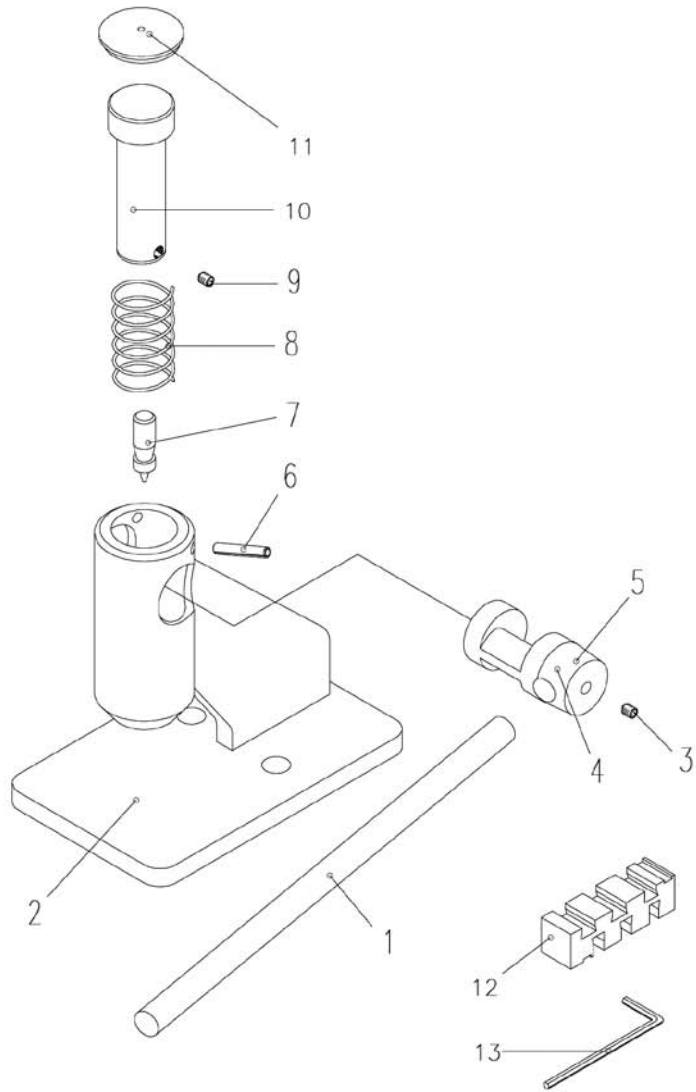
REF.	OREGON® P/N	QTY	DESCRIPTION
1	<b>108499</b>	1	230V ELECTRICAL SWITCH
5	<b>111017</b>	1	120/230V ELECTRIC CARDBOARD
8	<b>111014</b>	1	COVER AND HOLDING PLATE KIT
9	<b>111025</b>	1	CABLE KIT 230V
9	<b>111026</b>	1	CABLE KIT 230V CH
9	<b>111027</b>	1	CABLE KIT 230V AUST.
15	<b>111015</b>	1	MOTOR CASE C/W HANDLE
18	<b>111018</b>	1	MOTOR AND FLANGE KIT 230V
19	<b>106546</b>	2	BUSHING
20	<b>108484</b>	1	SHRIM WASHER
21	<b>109290</b>	1	SEEGER RING UNI 7435
22	<b>109596</b>	1	WHEEL HOLDING FLANGE
23	<b>106547</b>	1	GRINDING WHEEL 105X22X3,2 (1/4"-.325"-.3/8"-.91)
23	<b>106548</b>	1	GRIND. WHEEL 105X22X4,7 (.3/8"-.404")
23	<b>106549</b>	1	GRINDING WHEEL 105X22X6,0 (depth regulator)
27	<b>109170</b>	1	WHEEL PROTECT. KIT -SHIELD AND SCR.
29	<b>108465</b>	1	WHEEL FIXING AND TIGHTENING KIT
31	<b>108486</b>	1	SWING HEAD FIXING KNOB
32	<b>108210</b>	2	SCALE KNOB SPRING
33	<b>108209</b>	2	ADJUSTING SCREW
34	<b>108485</b>	1	COMB
35	<b>108482</b>	1	DOUBLE RETURN SPRING
40	<b>106543</b>	2	SPRING
43	<b>106544</b>	1	BASEMENT FIXING KNOB
44	<b>108207</b>	1	STOP PAWL FIXING SCREW
46	<b>108206</b>	1	CHAIN STOP PAWL
48	<b>111019</b>	1	CABLE KIT C/W MOTOR COVER 230V
48	<b>111020</b>	1	CABLE KIT C/W MOTOR COVER 230V CH
48	<b>111021</b>	1	CABLE KIT C/W MOTOR COVER 230V AUST.
49	<b>G088</b>	1	DRESSING BRICK
50	<b>G089</b>	1	TEMPLATE





**P/N 32990**

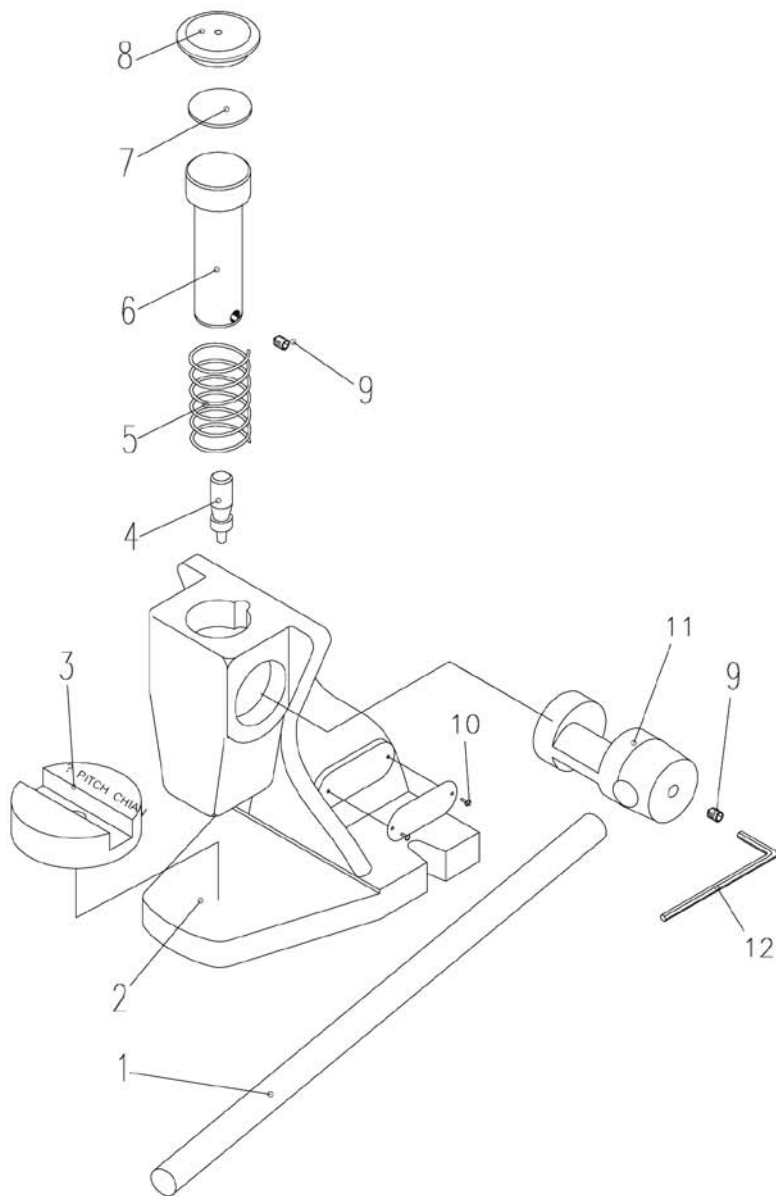
REF.	OREGON® P/N	QTY	DESCRIPTION
1	<b>G071</b>	3	UNI SCREW
2	<b>G081</b>	4	UNI WASHER
4	<b>108503</b>	1	ADJUSTING KNOB (BLACK)
5	<b>35610</b>	2	VICE SPACER KIT
6	<b>G060</b>	1	CHAIN STOP PAWL
7	<b>G065</b>	1	PAWLS HOLDING PIN
8	<b>G059</b>	1	PAWL SPRING
9	<b>109244</b>	1	PAWL ADJUSTING CIW STOP (BLACK)
12	<b>G062</b>	1	CAM POST
13	<b>G063</b>	1	STOP RING
15	<b>G073</b>	1	CAM HOLDING PIVOT
17	<b>G066</b>	5	UNI ZINC NUT





**P/N 24548A**

REF.	OREGON® P/N	QTY	DESCRIPTION
1	<b>38592</b>	1	ACTING LEVER
3	<b>110988</b>	1	GRUB SCREW UNI 5927 (since Dec. 2003)
7	<b>38594</b>	1	STANDARD PUNCH (.325", 3/8" & .404")
7	<b>109644</b>	1	PUNCH (1/4", 3/8"-90)
8	<b>38593</b>	1	RETURN SPRING
9	<b>110998</b>	1	GRUB SCREW UNI 5927
10	<b>111002</b>	1	PUNCH HOLDER
11	<b>38595</b>	1	CAP
12	<b>111939</b>	1	Anvil (1/4", .325", 3/8", .404")

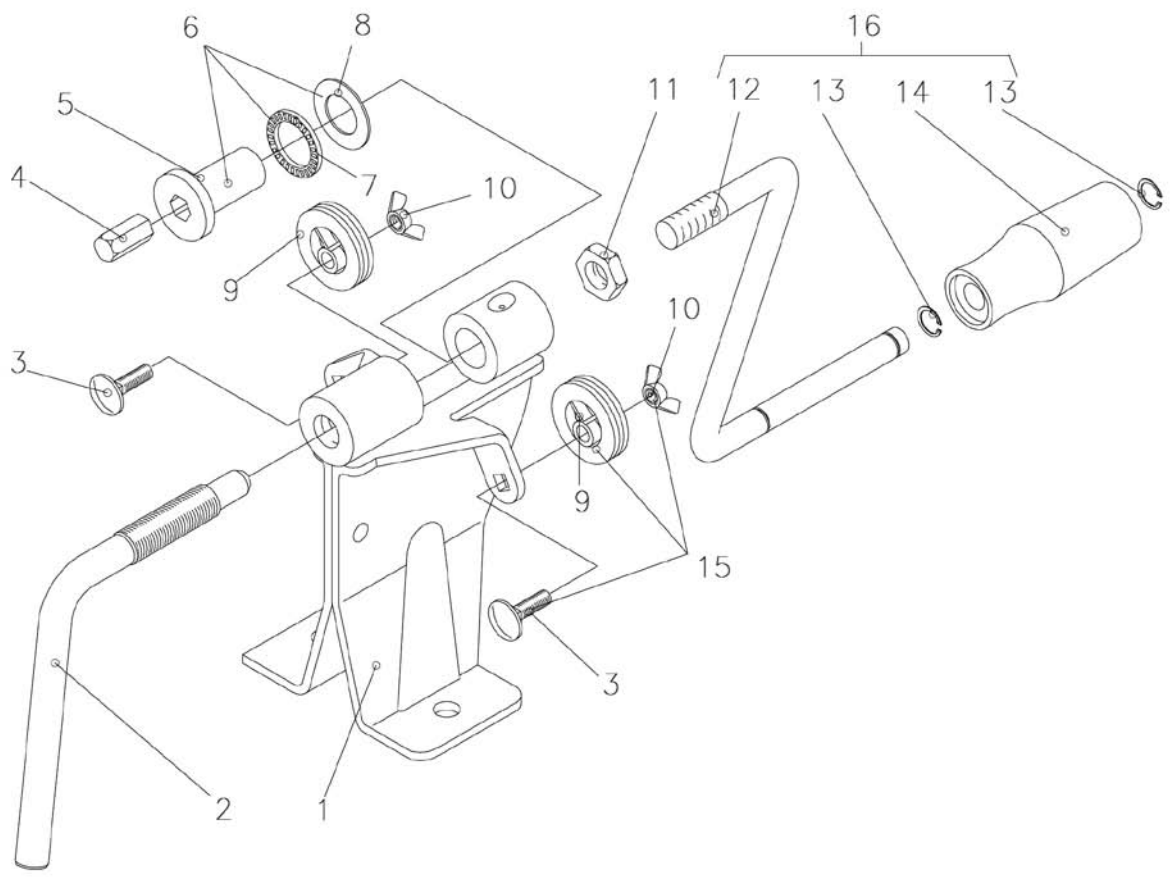




**P/N 109570**

REF.	OREGON® P/N	QTY	DESCRIPTION
1	<b>110997</b>	1	3/4" LEVER
3	<b>111939</b>	1	Anvil (1/4", .325", 3/8", .404")
3	<b>109567</b>	1	3/4" CHAIN ANVIL
4	<b>109566</b>	1	3/4" PUNCH
4	<b>38594</b>	1	PUNCH (.325", 3/8" & .404")
4	<b>109644</b>	1	PUNCH ( 1/4", 3/8"-90)
5	<b>111001</b>	1	RETURN SPRING
6	<b>111002</b>	1	PUNCH HOLDER
7	<b>111003</b>	1	WASHER
8	<b>38597</b>	1	CAP
9	<b>110998</b>	2	GRUB SCREW UNI 5927
11	<b>110999</b>	1	CAM SHAFT

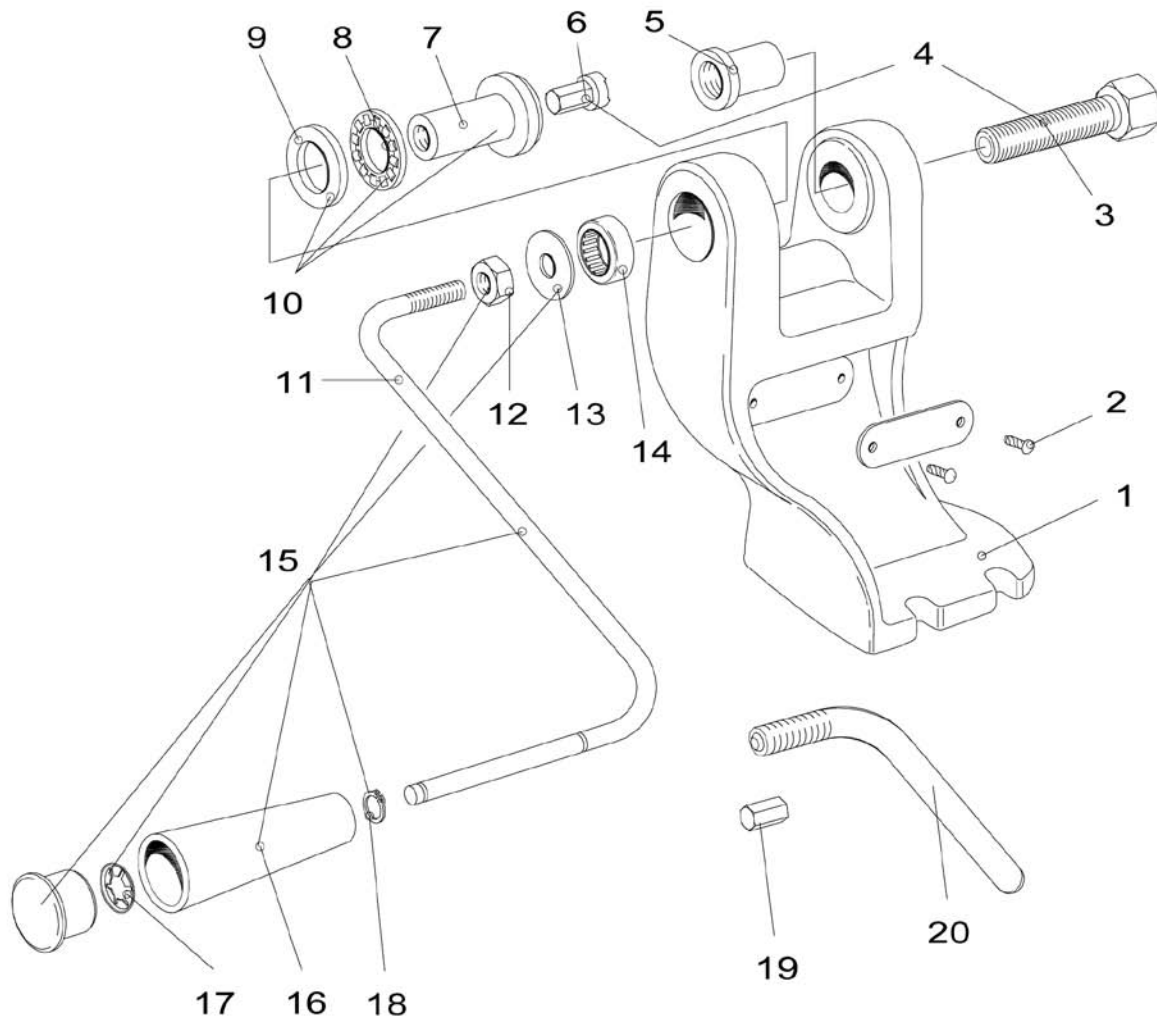






**P/N 24549A**

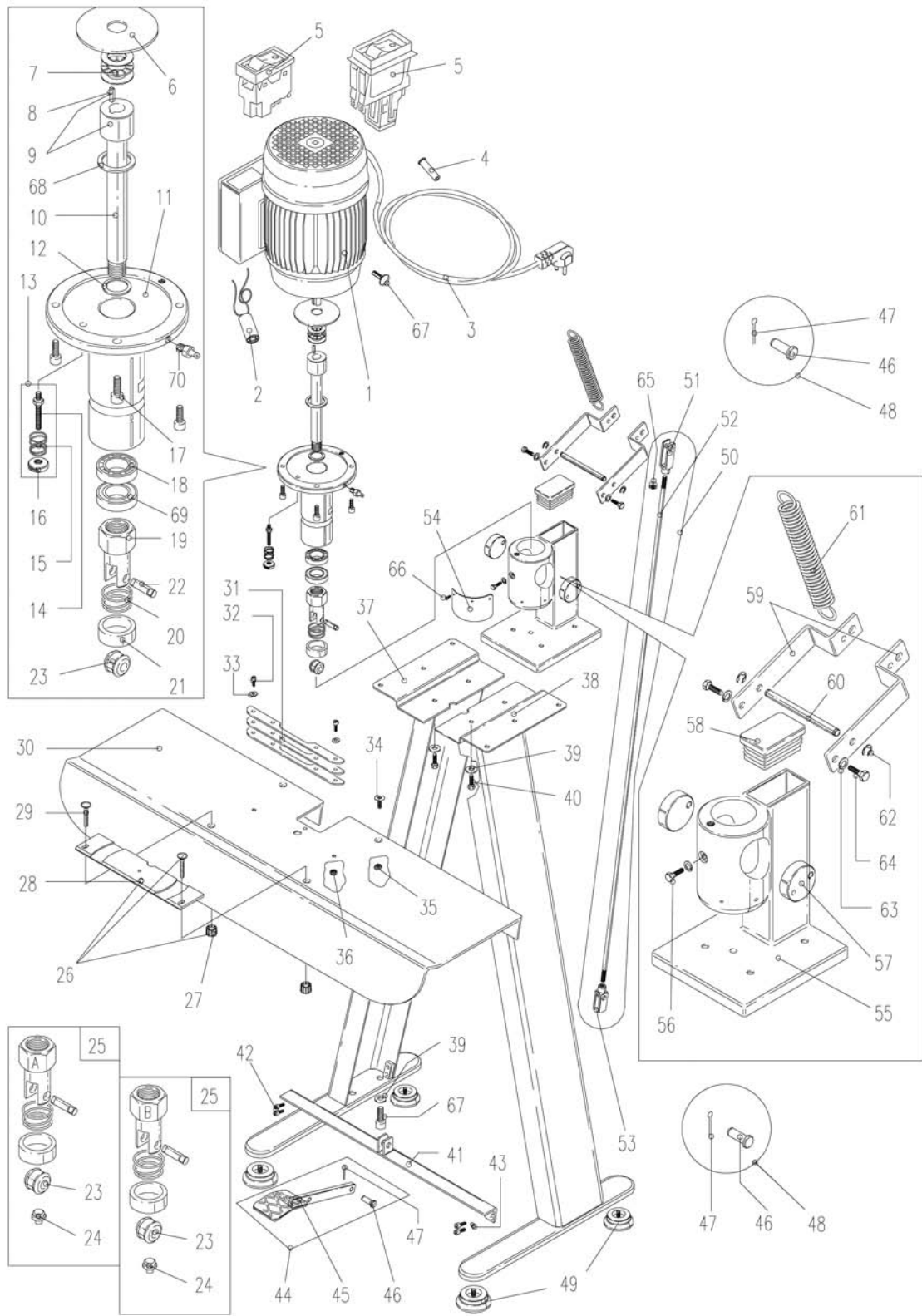
REF.	OREGON® P/N	QTY	DESCRIPTION
2	<b>38599</b>	1	TAKE UP HANDLE A (3/8", .404")
2	<b>38600</b>	1	TAKE UP HANDLE B (1/4", .325")
4	<b>38597</b>	1	SPINNER INSERT ANVIL (3/8", .404")
4	<b>38598</b>	1	SPINNER INSERT ANVIL (1/4", .325")
5	<b>38604</b>	1	ANVIL DRIVE
6	<b>106369</b>	1	BUSHING + BEARING KIT
7	<b>38605</b>	1	THRUST BEARING
8	<b>38602</b>	1	THRUST WASHER
15	<b>38603</b>	1	STANDARD WHEEL KIT
16	<b>38601</b>	1	KIT COMPLETE HANDLE





**P/N 109565**

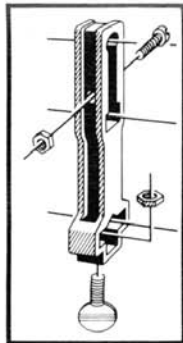
REF.	OREGON® P/N	QTY	DESCRIPTION
3	<b>109564</b>	1	THRUST BOLT 3/4"
5	<b>110994</b>	1	THREADED BUSHING
6	<b>109563</b>	1	ANVIL 3/4"
7	<b>110991</b>	1	ANVIL DRIVE BUSHING
8	<b>110989</b>	1	THRUST BEARING
9	<b>110988</b>	1	THRUST WASHER
14	<b>110993</b>	1	NEEDLE BEARING
15	<b>110992</b>	1	KIT 3/4" HANDLE
19	<b>38598</b>	1	SPIN INSERT B ( 1/4", .325")
19	<b>38597</b>	1	SPINNER INSERT A ( 3/8", .404")
20	<b>110996</b>	1	TAKE UP HANDLE C (1/4", .325")
20	<b>110995</b>	1	TAKE UP HANDLE A & B (3/8"- .404")



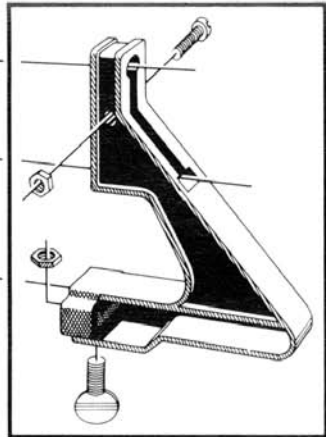
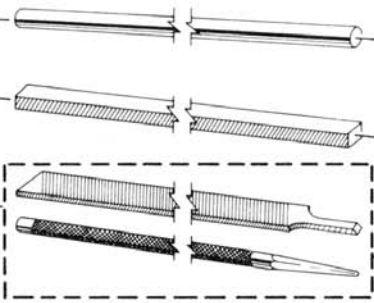


**P/N 106551**

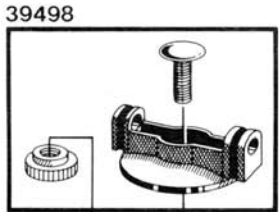
REF.	OREGON® P/N	QTY	DESCRIPTION
1	<b>108509</b>	1	E-MOTOR 230V
3	<b>111033</b>	1	ELECTRIC CABLE 230V
3	<b>111034</b>	1	ELECTRIC CABLE 250V - CH -
3	<b>111035</b>	1	ELECTRIC CABLE 230V - AUS -
5	<b>108499</b>	1	SWITCH EICHCOFF 230V
6	<b>109292</b>	1	SHIM WASHER
7	<b>109291</b>	1	NEEDLE BEARING
9	<b>109289</b>	1	SPIN SHAFT KIT
11	<b>109288</b>	1	E-MOTOR HOLDING FLANGE
13	<b>109286</b>	1	CLEARANCE ADJ. SCREW KIT
15	<b>108210</b>	1	SPRING FOR ADJ. SCREW
19	<b>109284</b>	1	ROLLS HOLDER
20	<b>109283</b>	1	ROLLS SPRING
21	<b>109282</b>	1	SHIM WASHER
22	<b>109285</b>	1	ROLLS PIN
24	<b>111037</b>	1	THRUST ANVIL (A)
24	<b>111039</b>	1	THRUST ANVIL (B)
25	<b>111038</b>	1	KIT SPINROLL-ANVIL (A)
25	<b>111041</b>	1	KIT SPINROLL-ANVIL (B)
26	<b>111042</b>	1	CHAIN GUIDE KIT
31	<b>109280</b>	1	JAWS KIT
32	<b>G071</b>	2	UNI ZINC SCREW
36	<b>G066</b>	2	UNI ZINC NUT
48	<b>109278</b>	1	KIT SPLIT PIN AND PIN
49	<b>109279</b>	4	ADJ. PLASTIC FOOT
50	<b>110596</b>	1	BAR AND YOKE KIT
55	<b>111044</b>	1	RIVET MASTER MAIN BODY
59	<b>109275</b>	2	E-MOTOR SHIFTING LEVER
60	<b>109276</b>	1	CAM PIN
61	<b>109274</b>	1	LEVER SPRING
70	<b>111043</b>	1	ZERK FITTING (from S/N400144 230V - S/N400159120V)



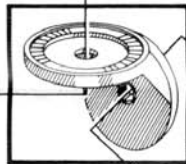
39491



39490



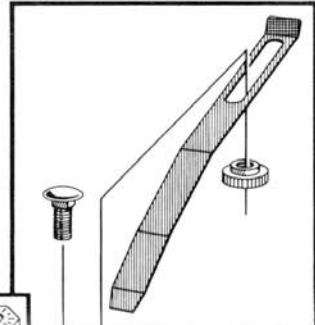
39498



39493



39492



39495

39496

38651

38654

39497

39494

