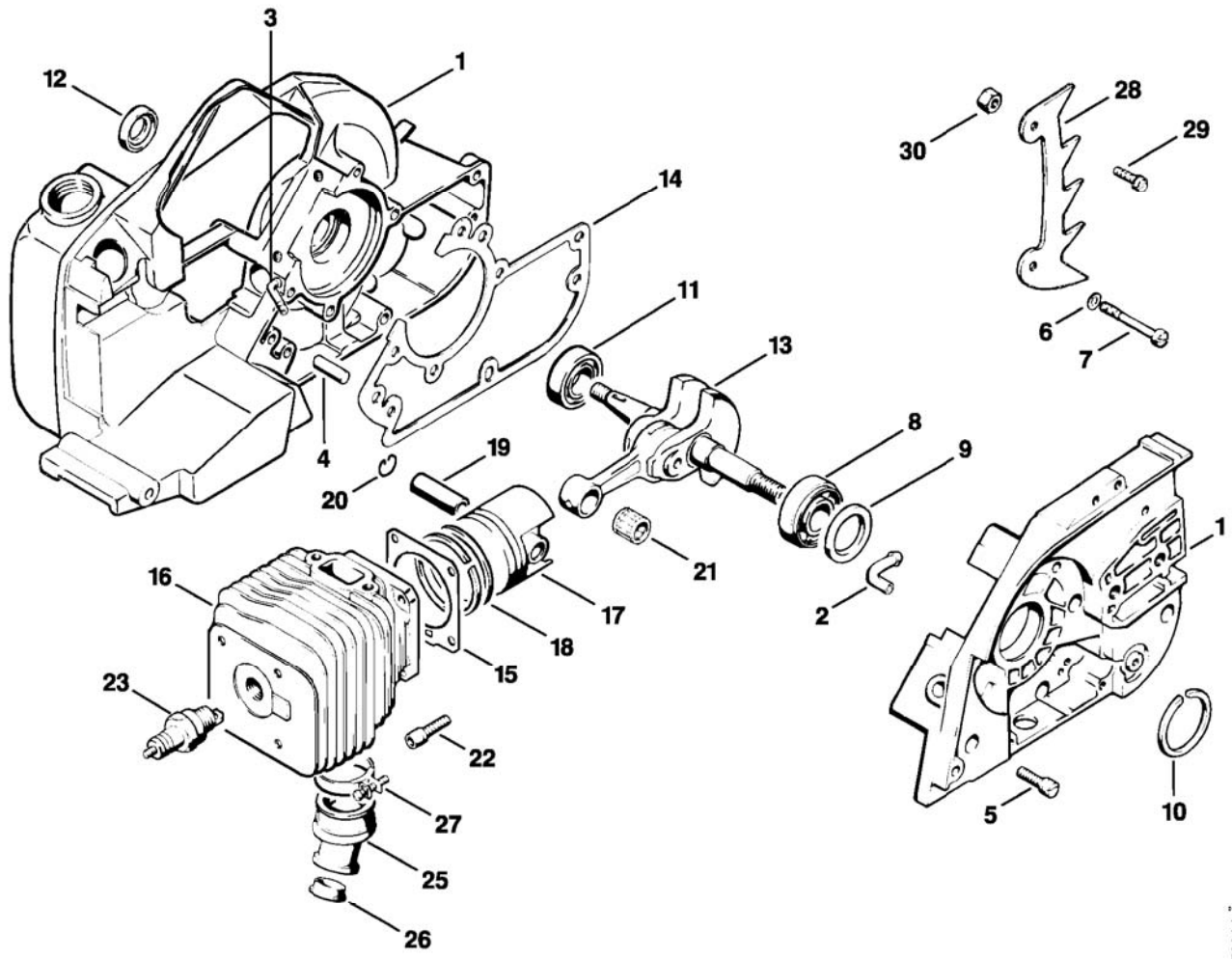


Illustration A Crankcase, Cylinder

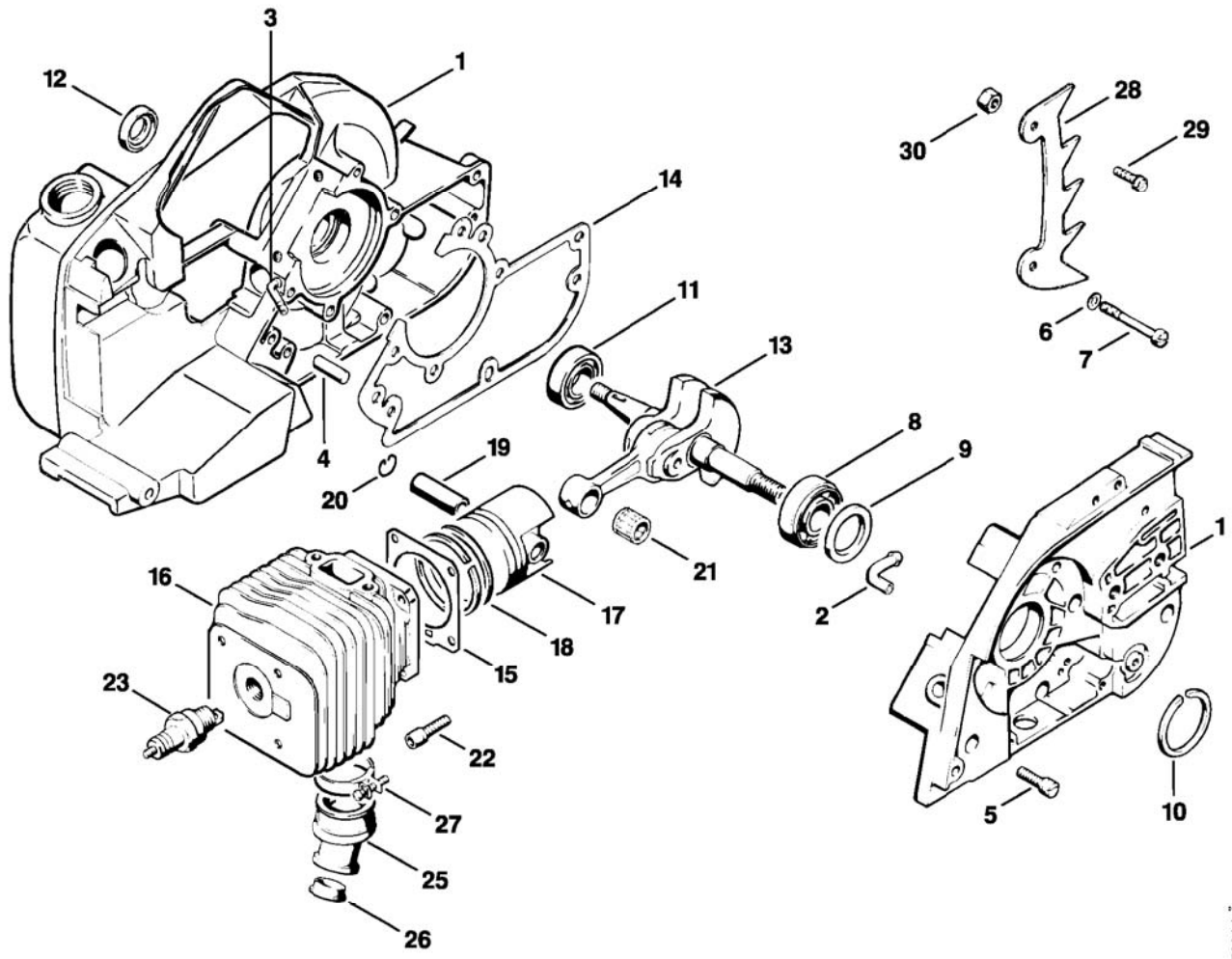


169ET001 LA

Ref.Nr.	Item code	Quantity	Description
1	1113 020 2107	1	Crankcase (1,2,4,5,7,8) □ 2 - 11
1	1113 020 2108	1	Crankcase (3,6) □ 2 - 11
2	1113 028 7400	1	Connector
3	1111 122 3900	1	Elbow connector
4	9371 470 3120	2	Cylindrical pin 6x20
5	9048 216 1010	7	Pan head screw M5x18
6	9307 021 0120	1	Washer 5.3
7	9043 216 1100	1	Pan head screw M5x45
8	9523 003 4440	1	Grooved ball bearing 15x35x13.5 □ 9
9	9640 003 2390	1	Oil seal 21.05x29.6x4
10	9465 620 2620	1	Snap ring 37
11	9503 003 0310	1	Grooved ball bearing 6002
12	9640 003 1340	1	Oil seal 13x22x5
13	1113 030 0400	1	Crankshaft
14	1113 029 0505	1	Gasket
15	1118 029 2305	1	Cylinder gasket
*	9639 003 2390	1	Oil seal 21.05x29.6x4 → 8 581 011 (34.81)

(1) 032 AV, (2) 032 AVE, (3) 032 AVEW, (4) 032 AVQ, (5) 032 AVEQ, (6) 032 AVEQW, (7) 032 AVEZ, (8) 032 AVEQZ

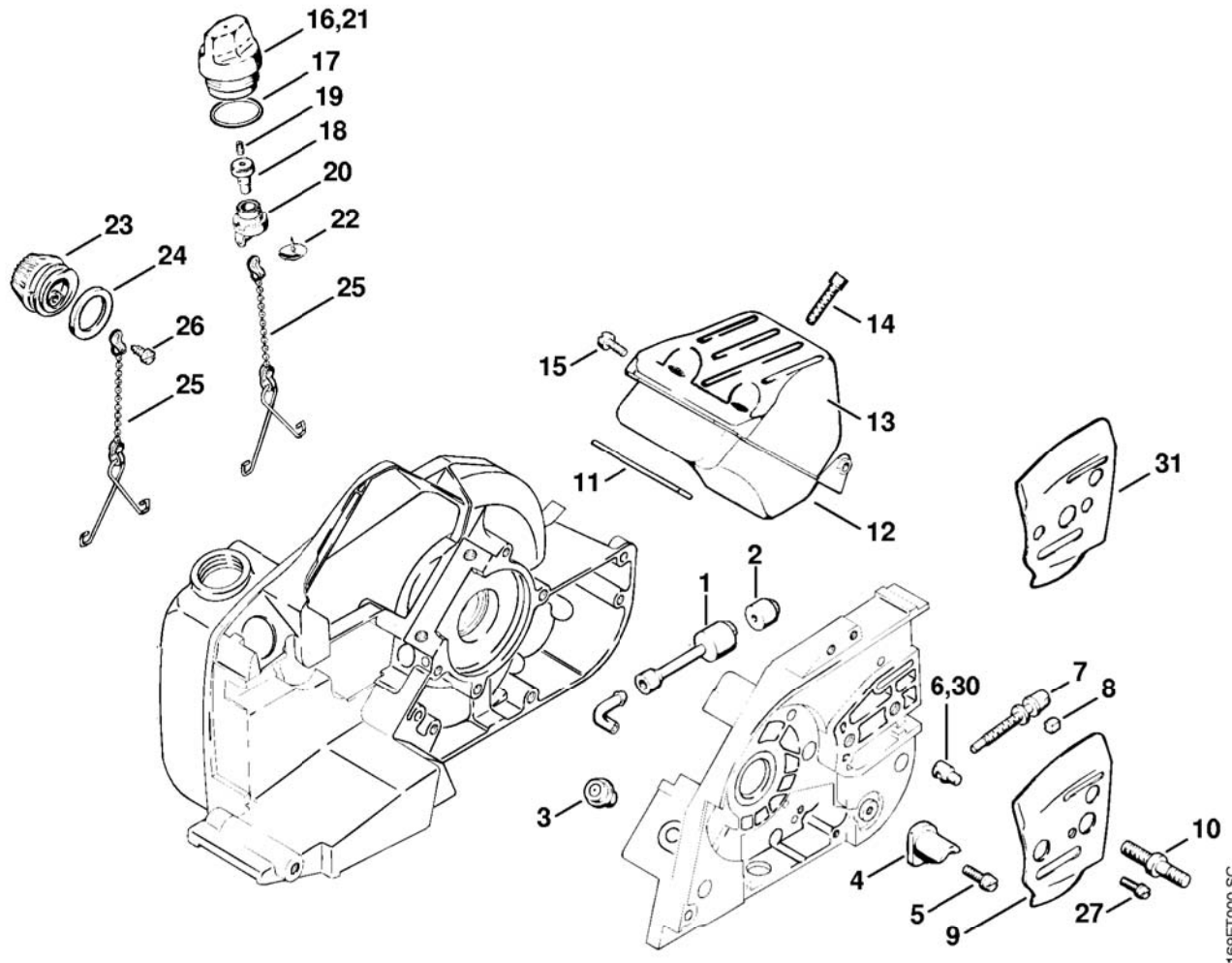
Illustration A Crankcase, Cylinder



169ET001 LA

Ref.Nr.	Item code	Quantity	Description
16	1113 020 1203	1	Cylinder with piston Ø 45mm □ 17 - 20
17	1113 030 2003	1	Piston Ø 45mm □ 18 - 20
18	1113 034 3006	2	Piston ring Ø 45x1.5mm
19	1110 034 1500	1	Piston pin 10x32
20	9462 650 1000	2	Snap ring 10
21	9512 003 2340	1	Needle cage 10x14x13
22	9036 341 1010	4	Socket head screw M5x18
23	1110 400 7005	1	Spark plug Bosch WSR 6 F
25	1113 141 2201	1	Manifold
26	1113 141 1805	1	Sleeve
27	9771 021 2540	1	Hose clip Ø 29x7
28	1110 664 0501	1	Bumper spike (B)
29	9079 319 0960	1	Flat head screw M5x12 (B)
30	9214 320 0700	1	Lock nut M5 (B)

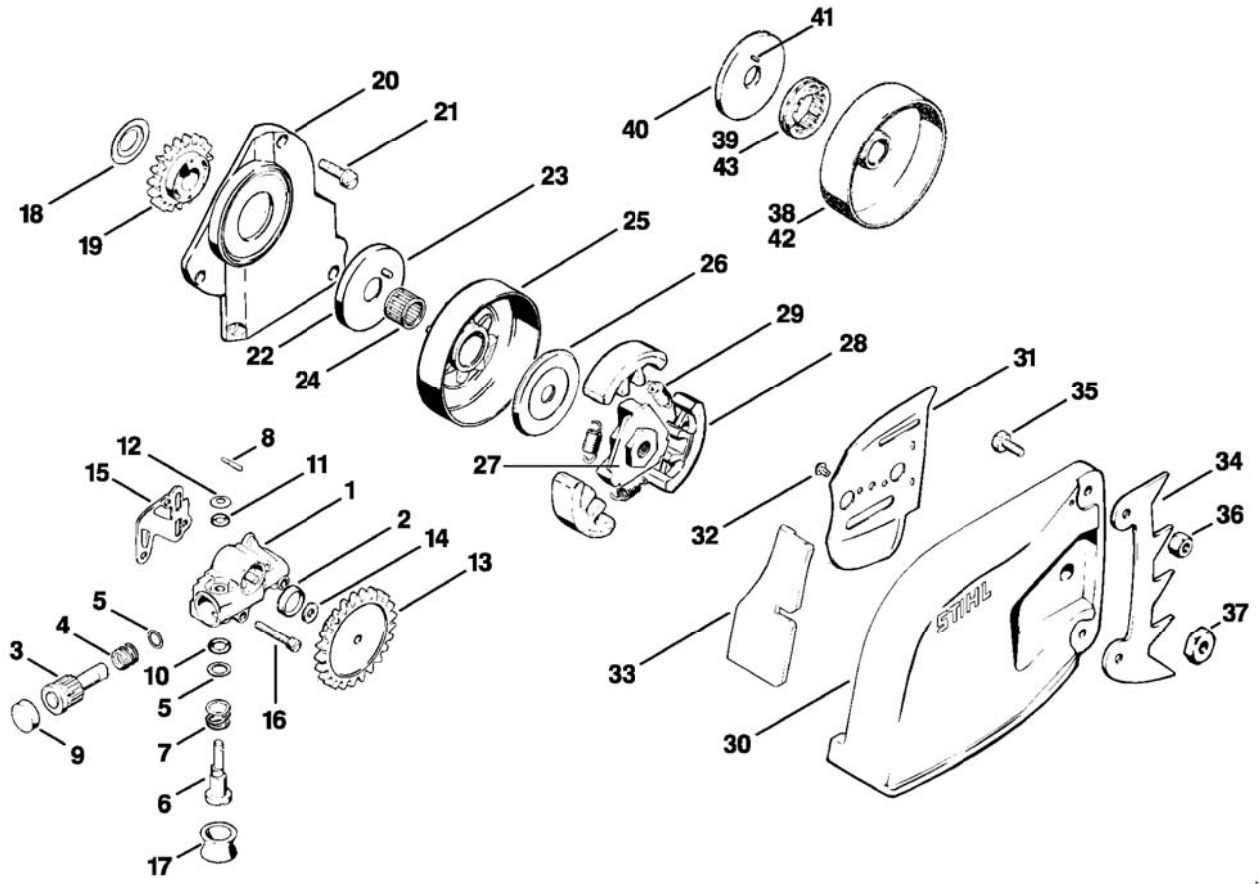
(1) 032 AV, (2) 032 AVE, (3) 032 AVEW, (4) 032 AVQ, (5) 032 AVEQ, (6) 032 AVEQW, (7) 032 AVEZ, (8) 032 AVEQZ



169ET000 SC

Ref.Nr.	Item code	Quantity	Description
1	1106 647 9404	1	Hose
2	1106 640 3801	1	Pickup body
3	1113 640 9100	1	Valve
4	1114 656 7700	1	Chain catcher
5	9021 319 0670	1	Pan head screw M4x14
6	1120 664 1500	1	Tensioning nut
7	1110 664 1600	1	Adjusting screw
8	1110 021 9000	1	Clamp
9	1122 664 1000	1	Inner side plate
10	1110 664 2400	2	Collar screw
11	1113 149 0600	1	Exhaust gasket
	1113 140 0608	1	Muffler (1,2,3,4,5,6) □ 12, 13
12	1113 145 0701	1	Inlet casing
13	1113 145 1001	1	Outlet-shell
	1113 140 0609	1	Muffler (A) (7,8)
14	9036 341 0940	2	Socket head screw M5x48
15	9045 371 0960	3	Socket head screw M5x12
16	1114 350 0502	1	Filler cap □ 17 - 20
17	9645 945 2620	1	O-ring 23x2.5
18	1110 353 8100	1	Insert
19	0000 951 5800	1	Grub screw
20	1110 353 2108	1	Valve body
21	1114 350 0500	1	Filler cap (B) □ 17, 20, 22, 25
22	1110 353 1600	1	Valve
	1117 640 3600	1	Oil filler cap □ 23 - 26
23	1117 646 0600	1	Filler cap
24	0000 992 6305	1	Sealing ring
25	1117 350 0901	1	Filler cap retainer
26	9099 021 2360	1	Self-tapping screw 3.5x9.5
27	9048 319 0660	1	Pan head screw M4x12
30	* 1110 664 1500	1	Tensioning nut → X 12 469 625 (38.83)
31	* 1113 664 1001	1	Inner side plate → X 12 562 035 (07.84)

(1) 032 AV, (2) 032 AVE, (3) 032 AVEW, (4) 032 AVQ, (5) 032 AVEQ, (6) 032 AVEQW, (7) 032 AVEZ, (8) 032 AVEQZ

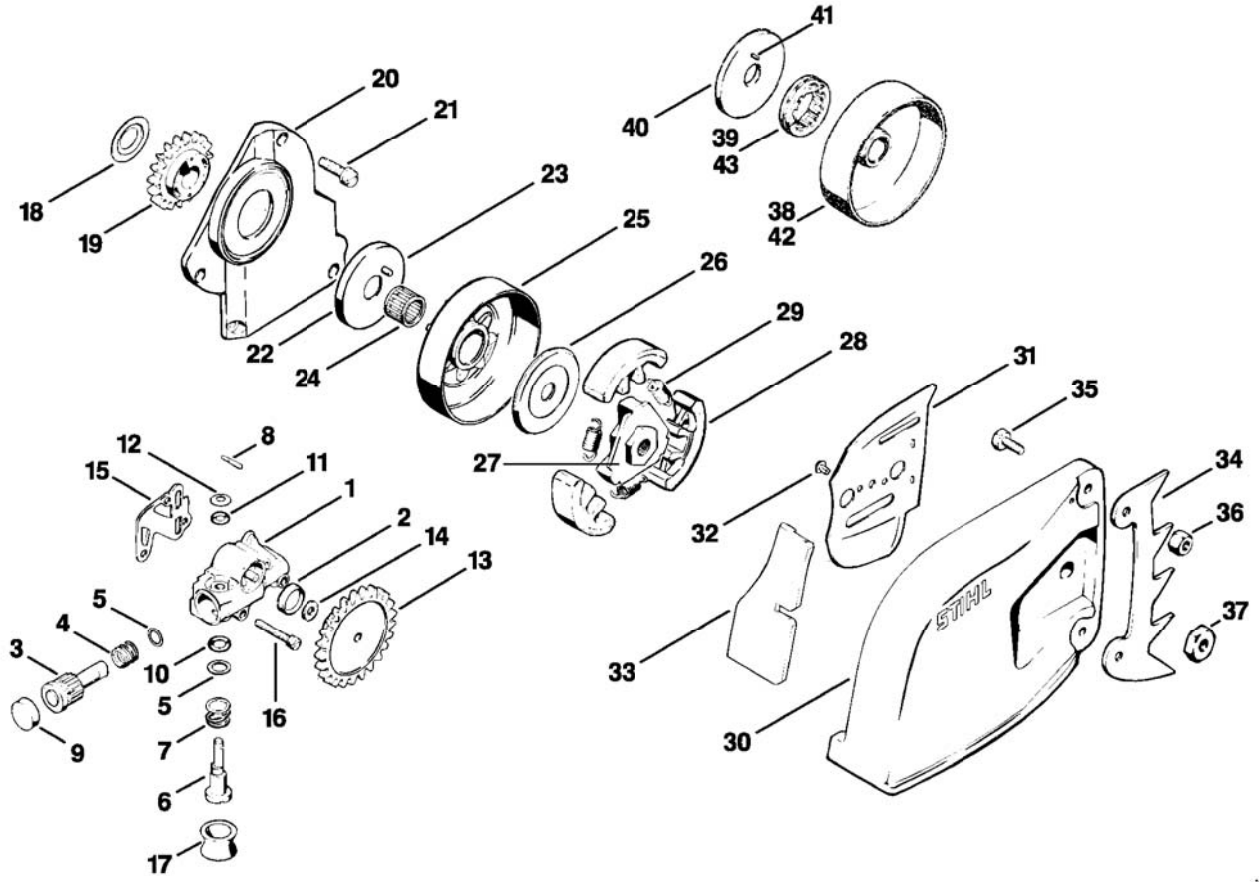


Ref.Nr.	Item code	Quantity	Description
	1113 640 3201	1	Oil pump □ 1 - 14
1	1117 640 3001	1	Pump housing □ 2
2	9643 950 1160	1	Sealing ring 12x16x3
3	1117 647 0601	1	Pump piston
4	0000 997 1010	1	Compression spring
5	0000 958 0701	2	Washer
6	1117 647 4801	1	Control bolt
7	0000 997 1200	1	Helical spring
8	1117 647 9800	1	Pin
9	0000 988 6220	1	Plug
10	9646 945 0490	1	O-ring 7x1.5
11	9646 945 0230	1	O-ring 5x1.25
12	9486 648 0100	1	Cup spring 10
13	1113 640 7100	1	Worm
14	0000 958 0402	1	Washer
15	1117 649 1100	1	Gasket
16	9048 319 0740	3	Pan head screw M4x25
17	0000 989 0401	1	Rubber ring
18	1113 162 8903	1	Thrust washer
19	1113 647 1802	1	Spur gear
20	1113 021 1100	1	Cover
21	9048 319 0660	4	Pan head screw M4x12
22	1113 030 7500	1	Cover washer □ 23
23	9517 003 0490	1	Cylindrical roller 2.5x16.8
24	9512 933 3000	1	Needle cage 12x15x13
25	1113 640 2000	1	Chain sprocket 3/8"
25	1113 640 2005	1	Chain sprocket 0.325" (B)

(1) 032 AV, (2) 032 AVE, (3) 032 AVEW, (4) 032 AVQ, (5) 032 AVEQ, (6) 032 AVEQW, (7) 032 AVEZ, (8) 032 AVEQZ

Illustration

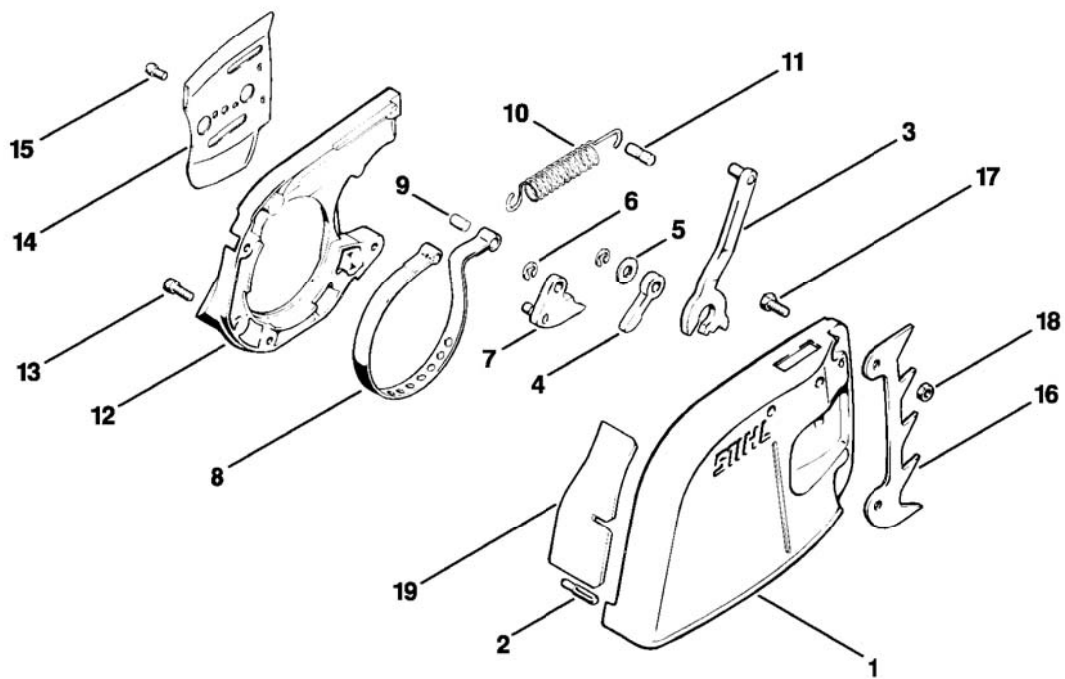
C Oil pump, Clutch, Chain sprocket cover



169ET004 LA

Ref.Nr.	Item code	Quantity	Description
26	1110 162 8900	1	Washer
	1113 160 2010	1	Clutch □ 27 - 29
27	1113 162 3205	1	Carrier
28	1113 162 0802	3	Clutch shoe
29	0000 997 5811	3	Tension spring
30	1113 648 0401	1	Chain sprocket cover (1,2,3,7)
31	1113 664 1100	1	Outer side plate
32	9441 065 1910	2	Round head rivet 3x8
33	1113 656 1501	1	Guard plate
34	1110 664 0501	1	Bumper spike
35	9008 319 0960	2	Hexagon head screw M5x12
36	9214 320 0700	2	Lock nut M5
37	0000 955 0801	2	Collar nut M8
	1113 007 1040	1	Rim sprocket kit 3/8" 7T (B) □ 39 - 41
39	0000 642 1230	1	Rim sprocket 3/8" 7T
40	1113 030 7501	1	Cover washer □ 41
41	9517 003 0460	1	Cylindrical roller 2.5x12.8
	1113 007 1041	1	Rim sprocket kit 0.325" 8T (B) □ 40 - 43
43	0000 642 1235	1	Rim sprocket 0.325" 8T

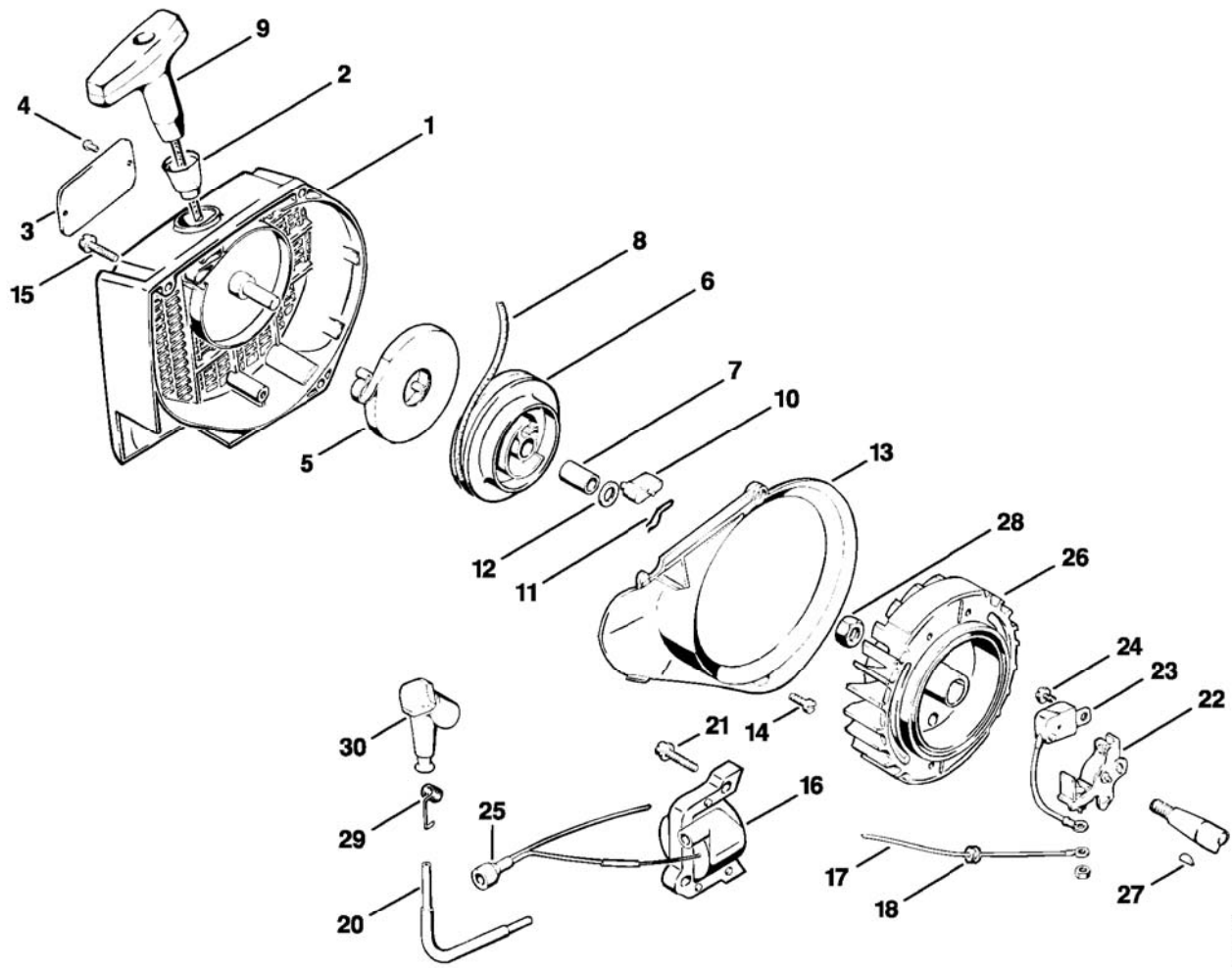
(1) 032 AV, (2) 032 AVE, (3) 032 AVEW, (4) 032 AVQ, (5) 032 AVEQ, (6) 032 AVEQW, (7) 032 AVEZ, (8) 032 AVEQZ



169ET006 LA

Ref.Nr.	Item code	Quantity	Description
	1113 640 1706	1	Chain sprocket cover (4,5,6,8) □ 1 - 19
1	1113 640 1705	1	Chain sprocket cover □ 2
2	0000 971 0608	1	Pin
3	1113 160 5001	1	Lever
4	1115 162 5005	1	Lever
5	0000 958 0702	1	Washer
6	9460 624 0500	2	E-clip 5
7	1113 160 5100	1	Cam
8	1113 160 5400	1	Brake band
9	1118 162 5220	1	Pin
10	1115 162 7900	1	Tension spring
11	1115 162 5220	1	Pin
12	1113 648 7700	1	Cover
13	9048 319 0660	4	Pan head screw M4x12
14	1113 664 1100	1	Outer side plate
15	9048 319 0650	1	Pan head screw M4x10
16	1110 664 0501	1	Bumper spike
17	9008 319 0960	2	Hexagon head screw M5x12
18	9214 320 0700	2	Lock nut M5
19	1113 656 1501	1	Guard plate

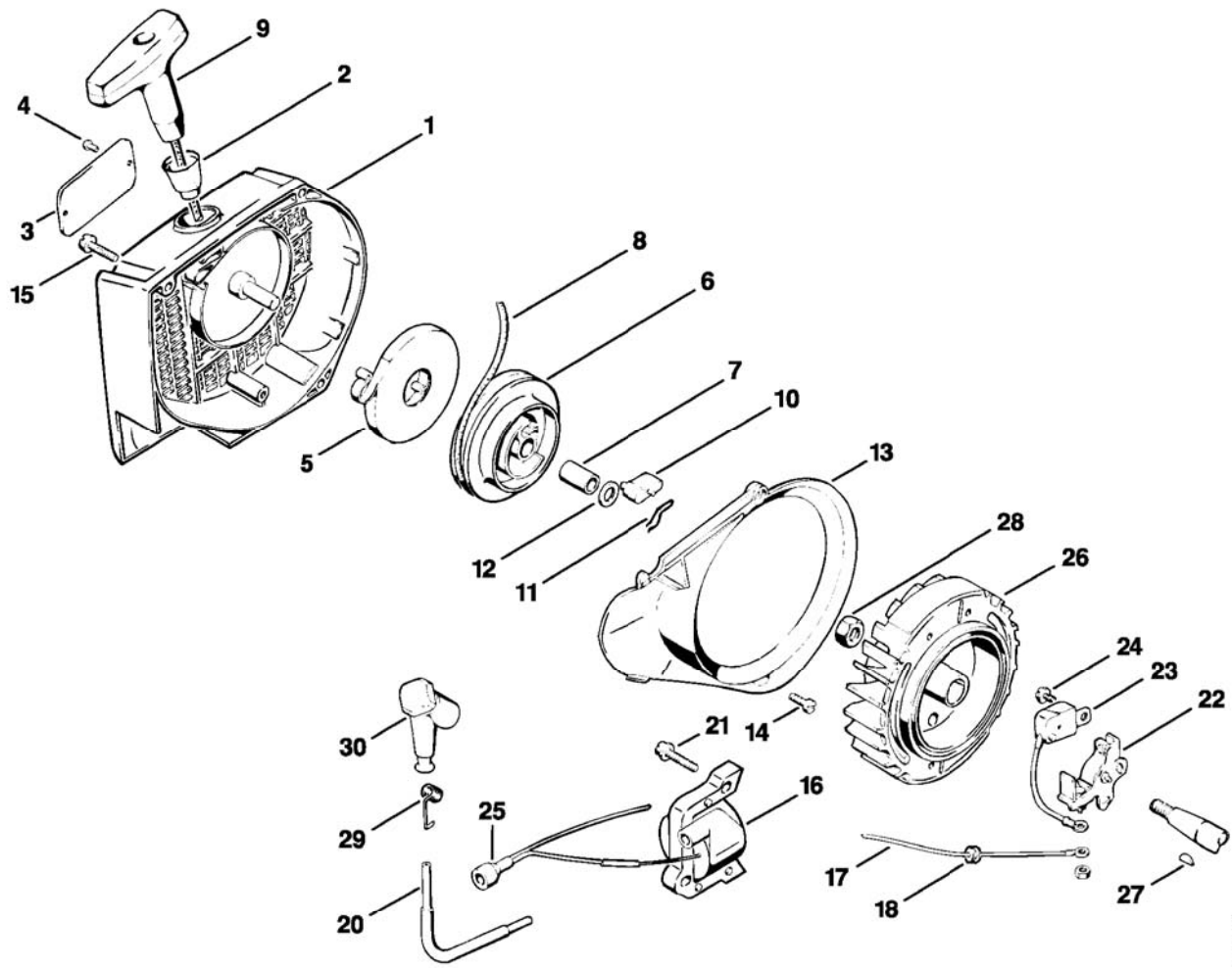
(1) 032 AV, (2) 032 AVE, (3) 032 AVEW, (4) 032 AVQ, (5) 032 AVEQ, (6) 032 AVEQW, (7) 032 AVEZ, (8) 032 AVEQZ



169ET007 LA

Ref.Nr.	Item code	Quantity	Description
1	1113 080 1805	1	Fan housing □ 2 - 4
2	1110 084 9102	1	Bushing
3	0000 967 2020	1	Nameplate STIHL
4	0000 974 1000	1	Round head rivet 3x6
5	1118 190 0600	1	Rewind spring
6	1118 190 1000	1	Rope rotor □ 7
7	0000 963 1001	1	Bushing
8	1118 195 8200	1	Starter rope Ø 3.5x1060mm
9	1113 195 3400	1	Starter grip
10	1118 195 7200	1	Pawl
11	1118 195 3500	1	Spring
12	0000 958 0806	1	Washer
13	1113 084 7802	1	Segment
14	9079 216 0660	2	Flat head screw M4x12
15	9048 216 1010	3	Pan head screw M5x18
16	1113 400 1305	1	Ignition coil □ 17 - 19
17	1113 007 1011	1	Short circuit wire kit □ 18
18	0000 989 0804	1	Grommet
20		1	Ignition lead 135mm
21	9036 341 1020	2	Socket head screw M5x20

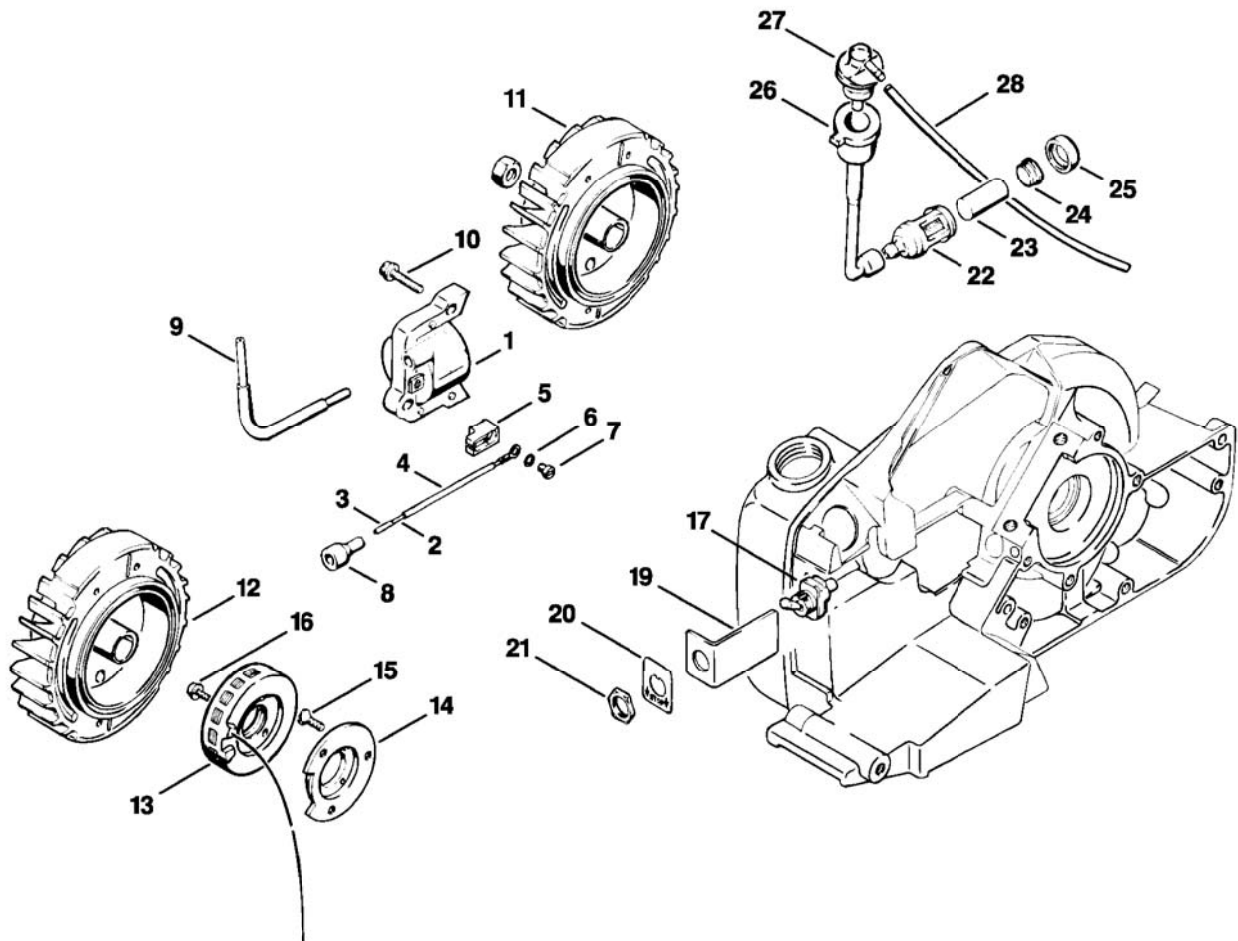
(1) 032 AV, (2) 032 AVE, (3) 032 AVEW, (4) 032 AVQ, (5) 032 AVEQ, (6) 032 AVEQW, (7) 032 AVEZ, (8) 032 AVEQZ



169ET007 LA

Ref.Nr.	Item code	Quantity	Description
22	1118 400 2000	1	Set of points (1,4)
23	1118 404 3400	1	Capacitor (1,4)
24	9047 319 0650	3	Pan head screw M4x10
25	1113 432 9200	1	Grommet
26	1113 400 1202	1	Flywheel (1,2,4,5,7,8)
27	9482 435 0030	1	Woodruff key 2x3.7
28	9210 261 1140	1	Hexagon nut M8x1
29	0000 998 0604	1	Torsion spring
30	1113 405 1000	1	Spark plug boot
	* 0000 989 1010	1	Grommet (A)

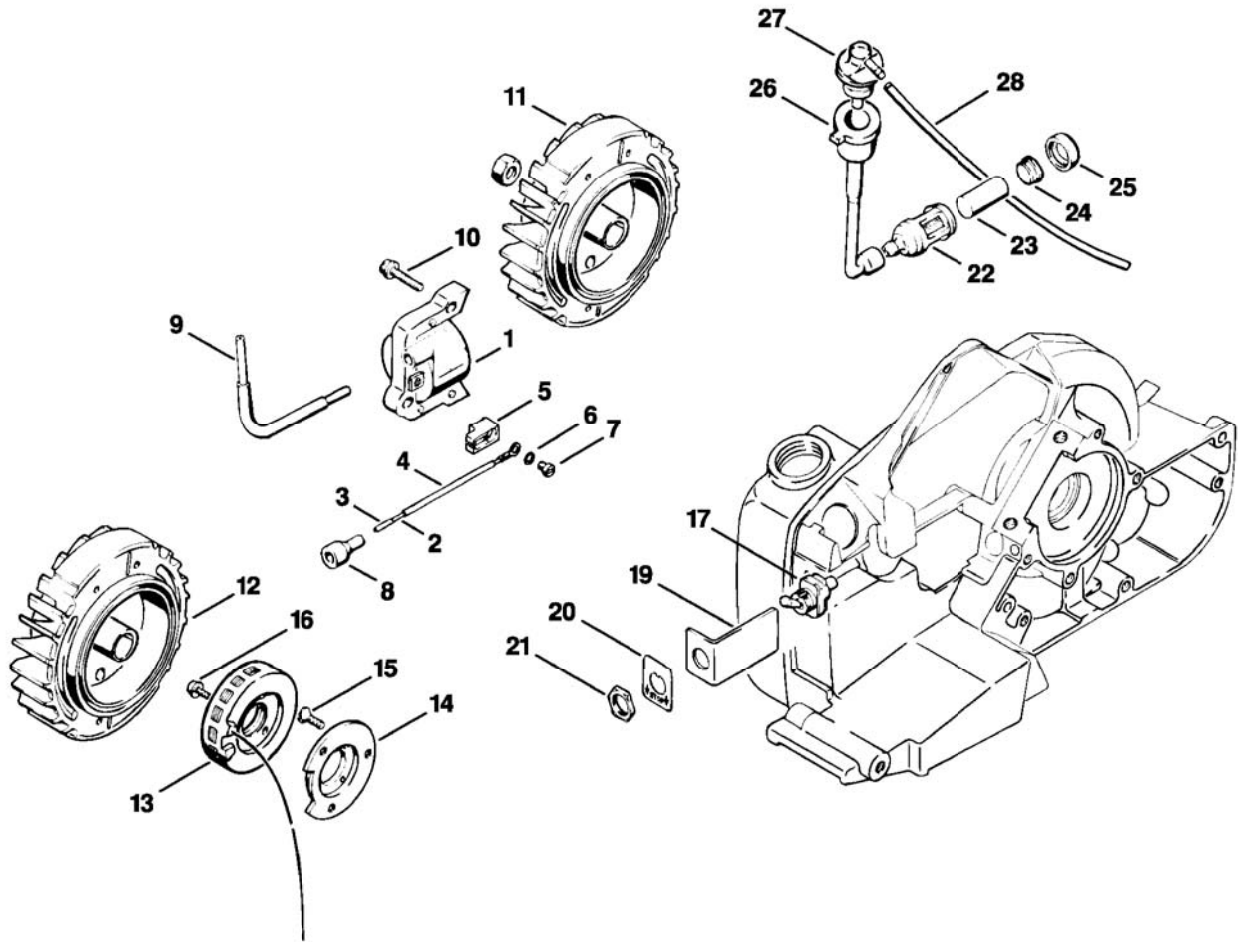
(1) 032 AV, (2) 032 AVE, (3) 032 AVEW, (4) 032 AVQ, (5) 032 AVEQ, (6) 032 AVEQW, (7) 032 AVEZ, (8) 032 AVEQZ



169ET009 LA

Ref.Nr.	Item code	Quantity	Description
1	1113 400 1310	1	Ignition module □ 2 - 9
2	1113 440 1110	1	Short circuit wire □ 3
3	1110 442 7000	1	Contact sleeve
5	1113 448 1000	1	Terminal
6	9322 630 0080	1	Spring washer 3
7	9041 216 0300	1	Pan head screw M3x4
8	1113 432 9200	1	Grommet
9		1	Ignition lead 135mm
10	9036 341 1020	2	Socket head screw M5x20
11	1113 400 1202	1	Flywheel (1,2,4,5,7,8)
12	1113 400 1210	1	Flywheel (3,6)
13	1118 404 3500	1	Generator (3,6)
14	1118 028 0700	1	Flange (3,6)
15	9062 319 0650	3	Countersunk screw M4x10 (3,6)
16	9048 319 0650	3	Pan head screw M4x10 (3,6)
17	1110 430 0202	1	Stop switch
19	1113 435 1600	1	Cover plate
20	0000 967 3506	1	Label
21	9211 260 1430	1	Hexagon nut M12x0.75

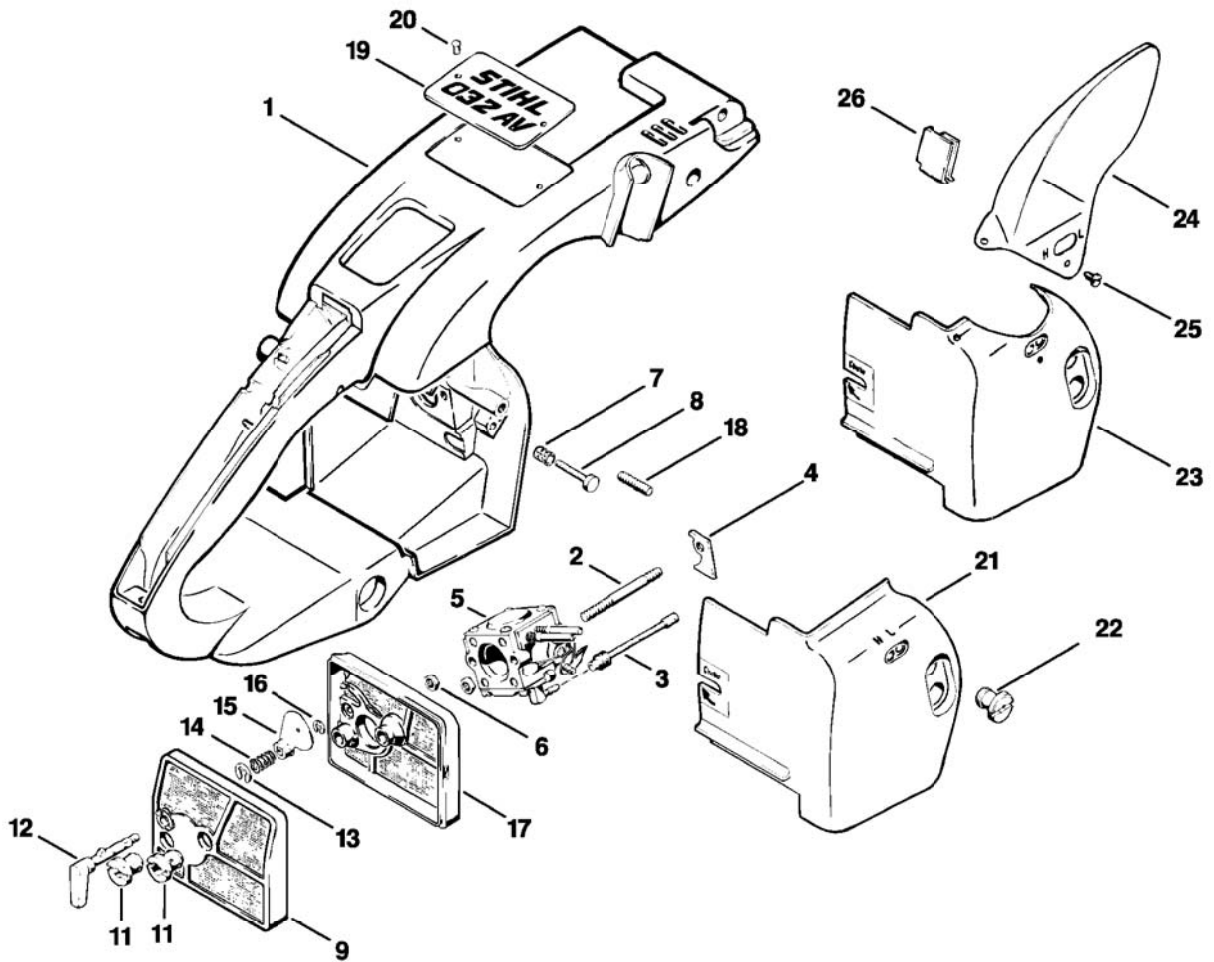
(1) 032 AV, (2) 032 AVE, (3) 032 AVEW, (4) 032 AVQ, (5) 032 AVEQ, (6) 032 AVEQW, (7) 032 AVEZ, (8) 032 AVEQZ



169ET009 LA

Ref.Nr.	Item code	Quantity	Description
22	1115 350 3503	1	Pickup body □ 23 - 25
23	1110 358 1800	1	Filter
24	1115 358 8200	1	Weight
25	1115 358 2500	1	Cap
26	1113 358 7700	1	Hose
27	1113 353 2500	1	Elbow connector
28	1113 141 8610	1	Hose

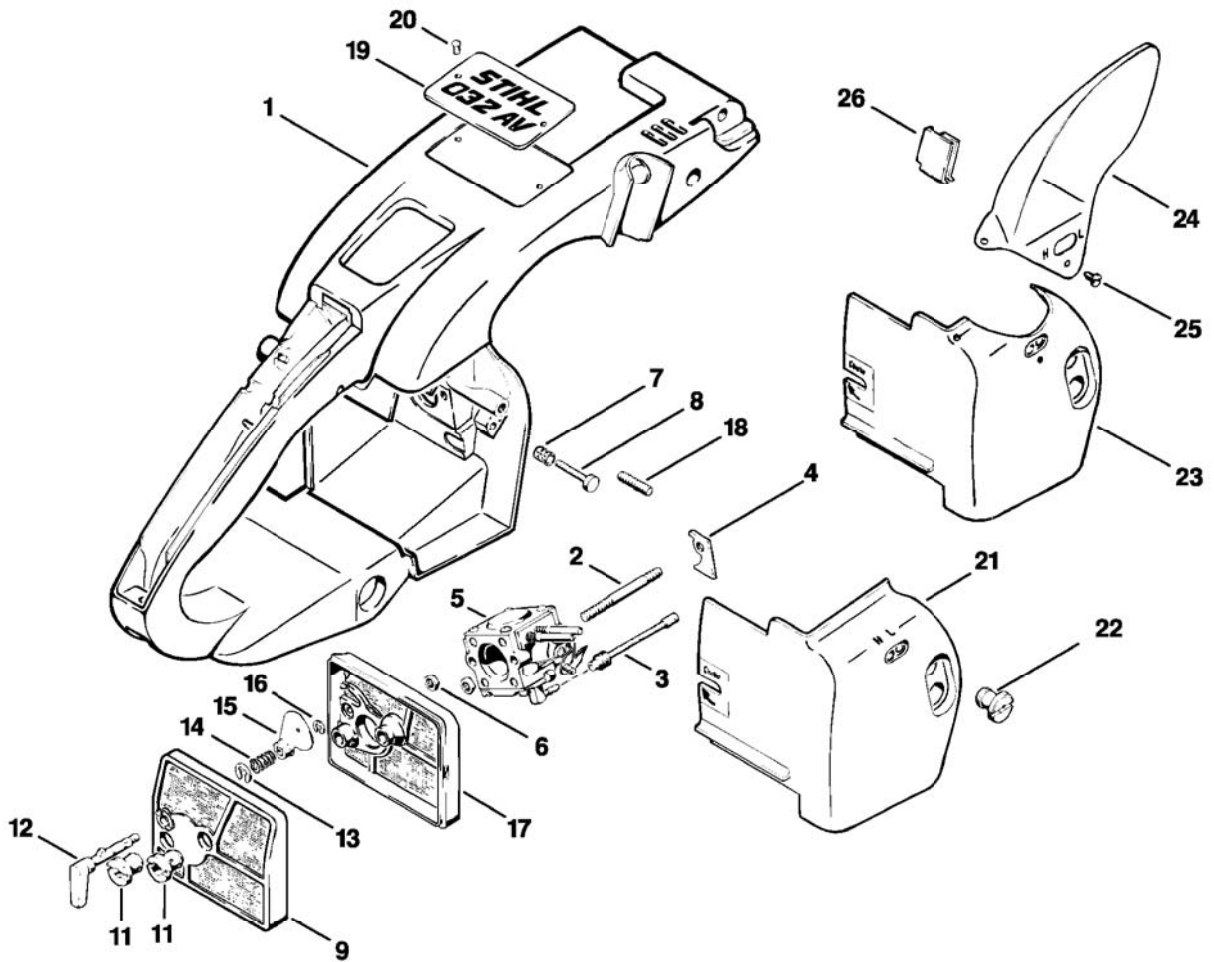
(1) 032 AV, (2) 032 AVE, (3) 032 AVEW, (4) 032 AVQ, (5) 032 AVEQ, (6) 032 AVEQW, (7) 032 AVEZ, (8) 032 AVEQZ



169ET012 LA

Ref.Nr.	Item code	Quantity	Description
1	1113 791 4905	1	Handle frame (1,2,4,5,7,8)
2	9121 323 1110	2	Stud M5x50x24
3	1113 141 8600	1	Impulse hose
4	1113 121 1500	1	Shim
5	1113 120 0604	1	Carburetor HU-51C
6	9210 260 0700	2	Hexagon nut M5
7	0000 997 0626	1	Helical spring
8	1115 122 6200	1	Idle speed adjustment screw
	1113 120 1601	1	Air filter □ 9 - 17
	1113 120 1603	1	Air filter, flocked (B) □ 9 - 17
9	1113 120 1600	1	Air filter
9	1113 120 1602	1	Air filter, flocked (B)
11	1113 141 8310	2	Slotted nut
12	1113 123 7310	1	Lever
13	9460 624 0500	1	E-clip 5
14	0000 997 0721	1	Compression spring
15	1113 121 2900	1	Choke shutter
16	9460 624 0320	1	E-clip 3.2
17	1113 120 1610	1	Air filter
17	1113 120 1612	1	Air filter, flocked (B)

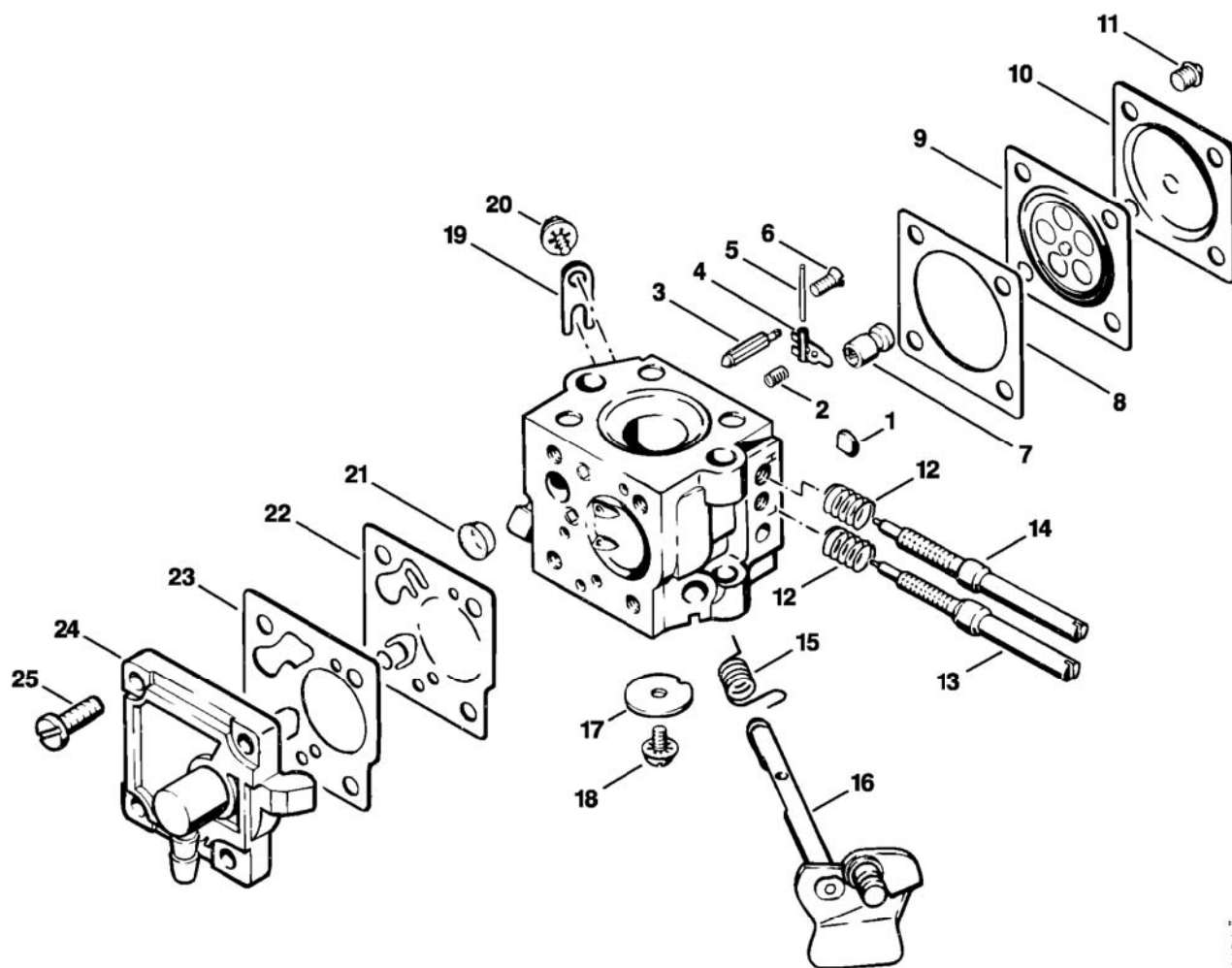
(1) 032 AV, (2) 032 AVE, (3) 032 AVEW, (4) 032 AVQ, (5) 032 AVEQ, (6) 032 AVEQW, (7) 032 AVEZ, (8) 032 AVEQZ



169ET012 LA

Ref.Nr.	Item code	Quantity	Description
18	9121 319 0960	1	Stud M5x12x9
19	0000 967 1579	1	Model plate 032 AV (1)
19	0000 967 1580	1	Model plate 032 AVE (2,3,7)
19	0000 967 1592	1	Model plate 032 AVQ (4)
19	0000 967 1581	1	Model plate 032 AVEQ (5,6,8)
20	9441 065 1270	1	Round head rivet 2.6x6
21	1113 141 1001	1	Carburetor box cover
22	1113 141 8305	1	Slotted nut
	1113 007 1061	1	Intake air preheating kit □ 23 - 26
23	1113 141 1002	1	Carburetor box cover
24	1113 141 5601	1	Air guide plate
25	9099 021 2360	2	Self-tapping screw 3.5x9.5
26	1113 791 7300	1	Plug

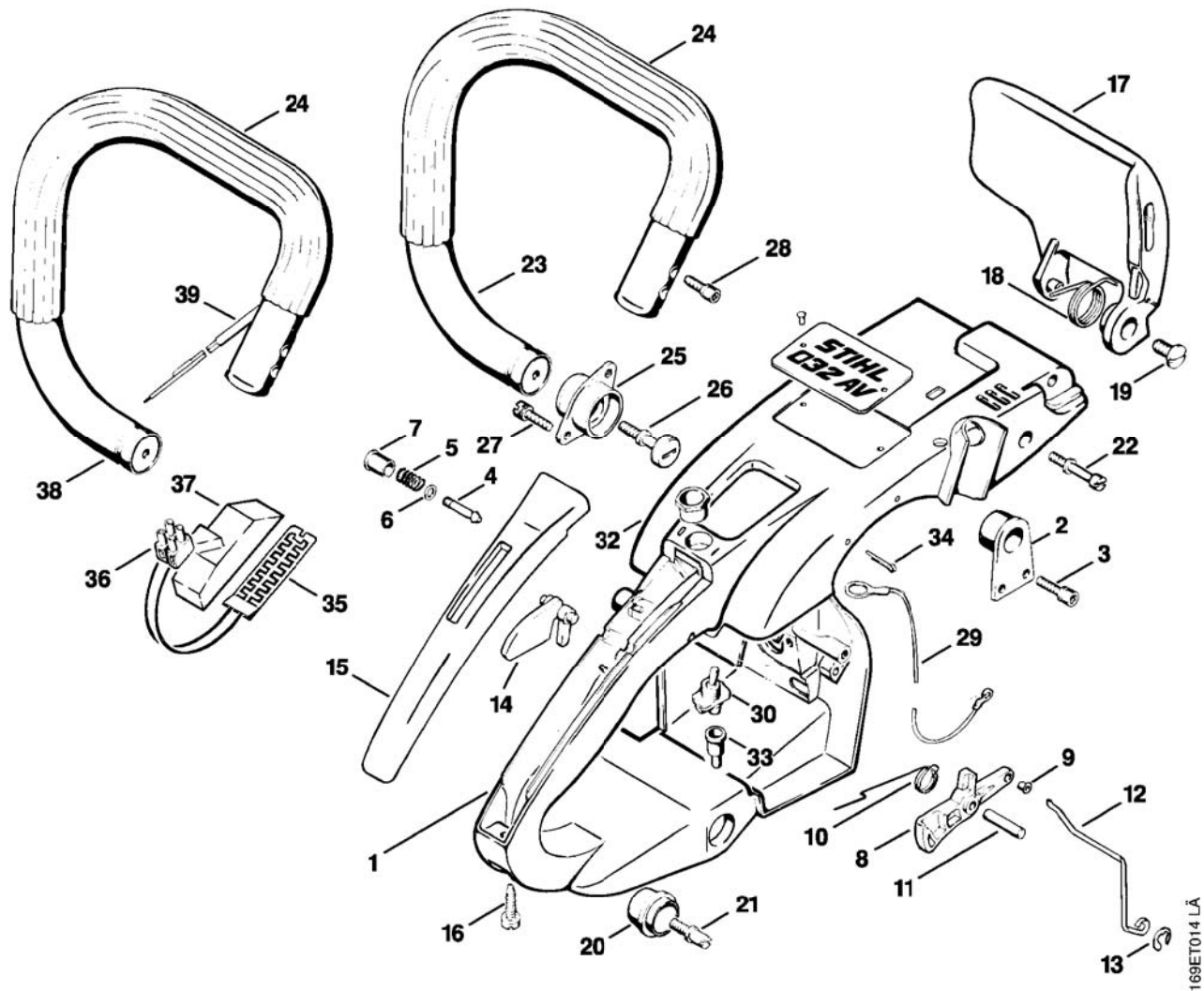
(1) 032 AV, (2) 032 AVE, (3) 032 AVEW, (4) 032 AVQ, (5) 032 AVEQ, (6) 032 AVEQW, (7) 032 AVEZ, (8) 032 AVEQZ



169ET013 LA

Ref.Nr.	Item code	Quantity	Description
	1113 120 0604	1	Carburetor HU-51C □ 1 - 25
1	1113 122 9400	1	Plug
2	1113 122 3000	1	Spring
3	4116 121 5100	1	Inlet needle
4	1113 121 5000	1	Inlet control lever
5	1113 121 9200	1	Spindle
6	1110 122 7800	1	Oval head screw
7	1113 121 5400	1	Valve jet
8	1113 129 0900	1	Gasket
9	1113 121 4700	1	Metering diaphragm
10	1113 121 0800	1	End cover
11	1106 122 7400	4	Round head screw
12	1106 122 3000	2	Spring
13	1113 122 6815	1	Low speed adjustment screw
14	1113 122 6715	1	High speed adjustment screw
15	1113 122 3200	1	Torsion spring
16	1113 120 7115	1	Throttle shaft with lever
17	1113 121 3300	1	Throttle shutter
18	1110 122 7400	1	Round head screw
19	1110 122 9300	1	Clip
20	1110 122 7400	1	Round head screw
21	4221 121 7800	1	Strainer
22	1113 121 4800	1	Pump diaphragm
23	1113 129 0910	1	Gasket
24	1118 121 0800	1	End cover
25	1113 122 7700	4	Oval head screw
	1118 007 1060	1	Set of carburetor parts □ 8, 9, 22, 23

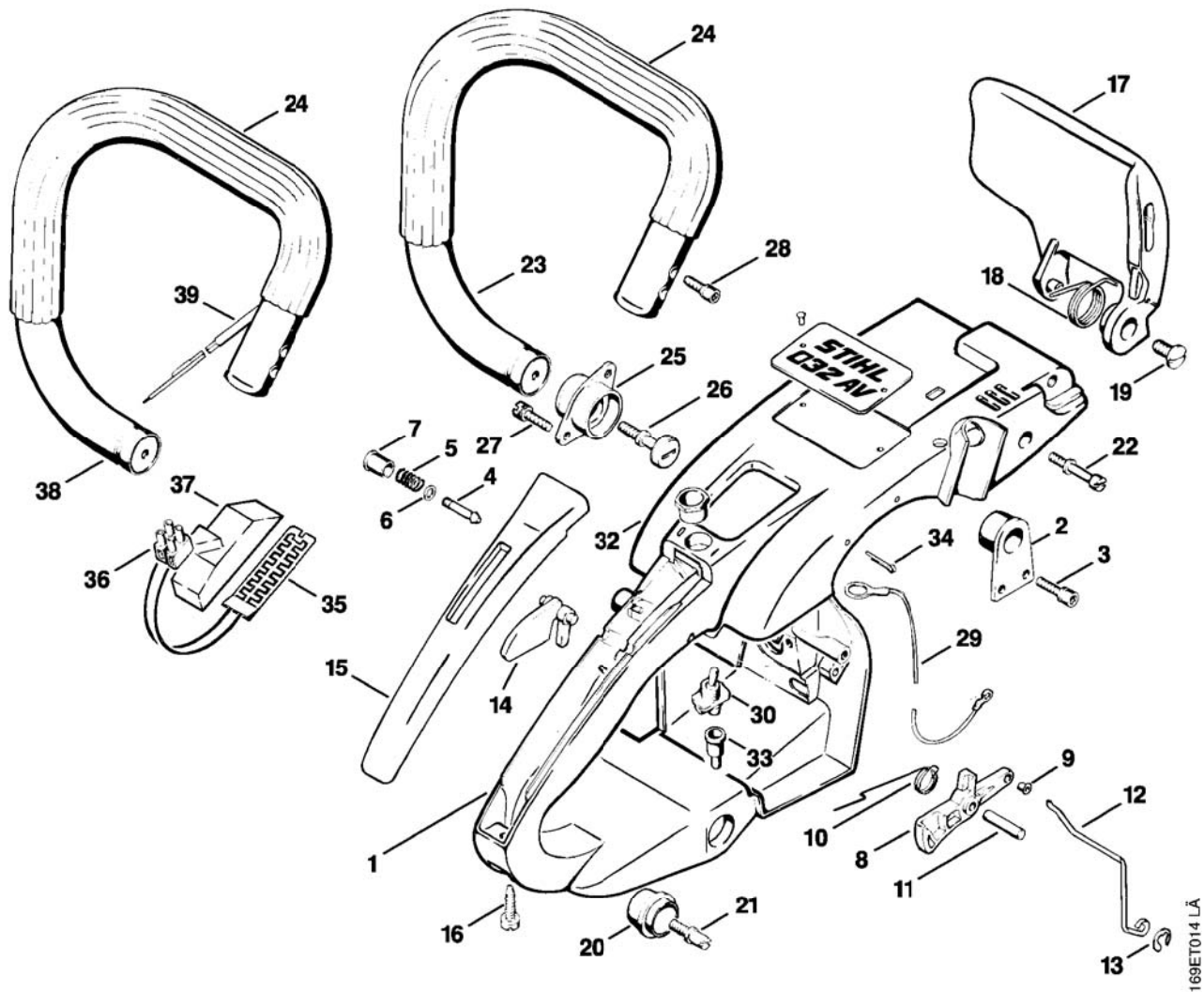
(1) 032 AV, (2) 032 AVE, (3) 032 AVEW, (4) 032 AVQ, (5) 032 AVEQ, (6) 032 AVEQW, (7) 032 AVEZ, (8) 032 AVEQZ



169ET014 LA

Ref.Nr.	Item code	Quantity	Description
1	1113 791 4906	1	Handle frame (3,6)
2	1113 790 9901	1	Annular buffer
3	9040 346 1010	2	Socket head screw M5x18
4	1113 182 8900	1	Pin
5	0000 997 0603	1	Compression spring
6	0000 958 0403	1	Washer
7	1113 182 9305	1	Starting throttle lock
8	1113 180 1005	1	Throttle trigger
		□ 9	
9	9415 415 2240	1	Hollow rivet 3x0.3x5
10	1117 182 4500	1	Torsion spring
11	9371 470 2640	1	Cylindrical pin 5x24
12	1113 182 1510	1	Throttle rod
13	9460 624 0320	1	E-clip 3.2
14	1117 182 0800	1	Trigger interlock
15	1113 791 0600	1	Handle molding
16	9099 021 0850	1	Self tapping screw 4.8x22
17	1113 792 9106	1	Hand guard (1,2,3,7)
17	1114 792 9106	1	Hand guard (4,5,6,8)
18	1113 791 8200	1	Torsion spring
19	0000 951 2902	1	Oval head screw M6x3.2x12
20	1113 790 9910	2	Annular buffer
21	1113 791 6102	2	Collar screw
22	1113 791 6110	1	Collar screw
23	1113 790 1701	1	Handlebar with hose 365mm / 14 3/8" (1,2,4,5,7,8)
24	0000 791 2005	1	Handle hose Ø 23 mm x 5m / 1x197"

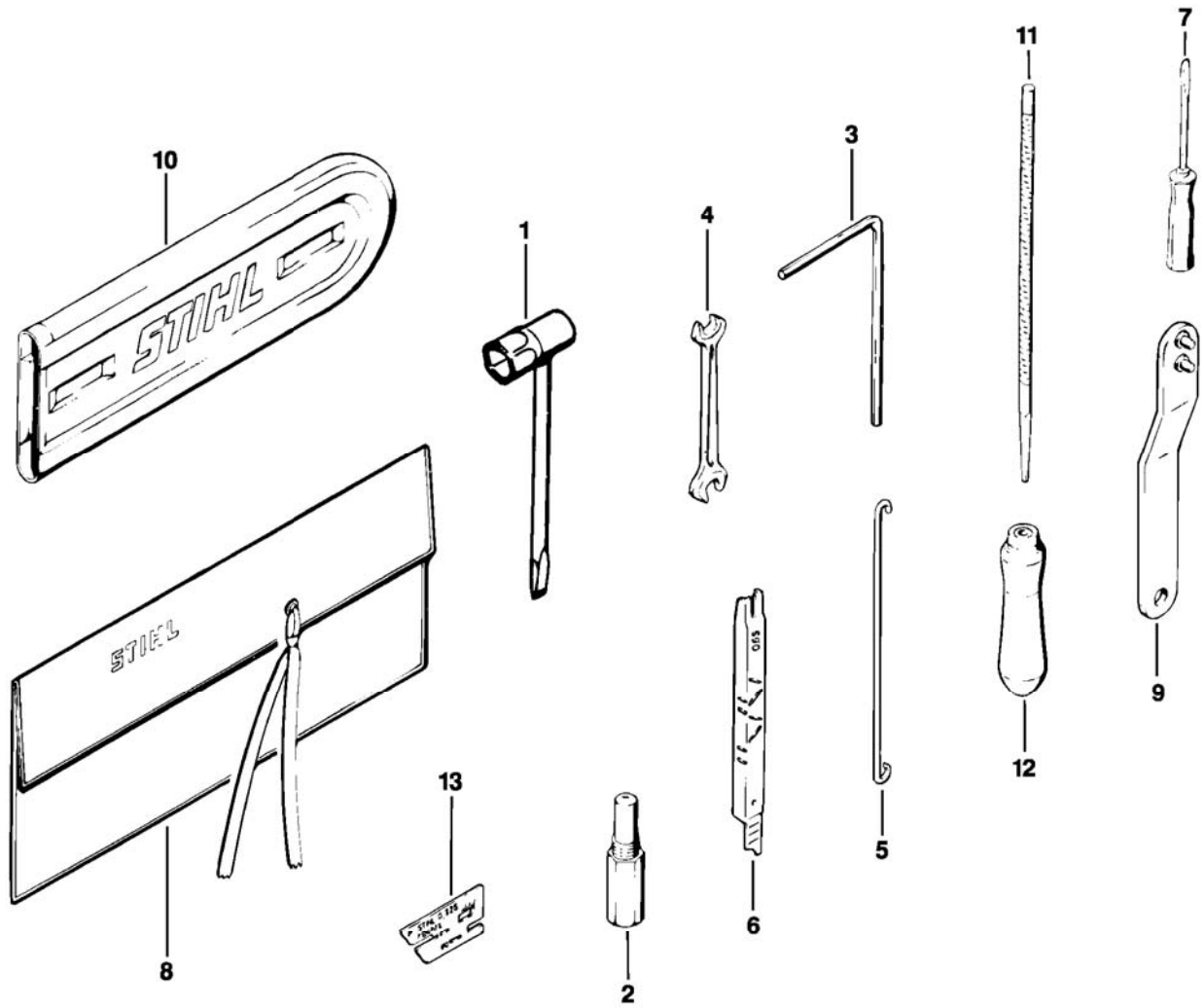
(1) 032 AV, (2) 032 AVE, (3) 032 AVEW, (4) 032 AVQ, (5) 032 AVEQ, (6) 032 AVEQW, (7) 032 AVEZ, (8) 032 AVEQZ



169ET014 LA

Ref.Nr.	Item code	Quantity	Description
25	1115 790 9901	1	Annular buffer
26	1115 791 6101	1	Collar screw
27	9048 216 1010	2	Pan head screw M5x18
28	9036 341 1020	2	Socket head screw M5x20
29	1113 440 2200	1	Ground wire (3,6)
30	1110 430 0202	1	Stop switch (3,6)
32	1118 432 2200	1	Hexagon nut M12 (3,6)
33	1110 432 9200	1	Grommet (3,6)
34	9395 825 1090	2	Split pin 2x10 (3,6)
35	1118 434 5000	1	Heating element (3,6)
36	1118 431 3000	1	Terminal block (3,6)
37	1118 791 9000	1	Clamp (3,6)
38	1113 790 1710	1	Handlebar (3,6)
			□ 39
39	1113 442 0400	1	Hose

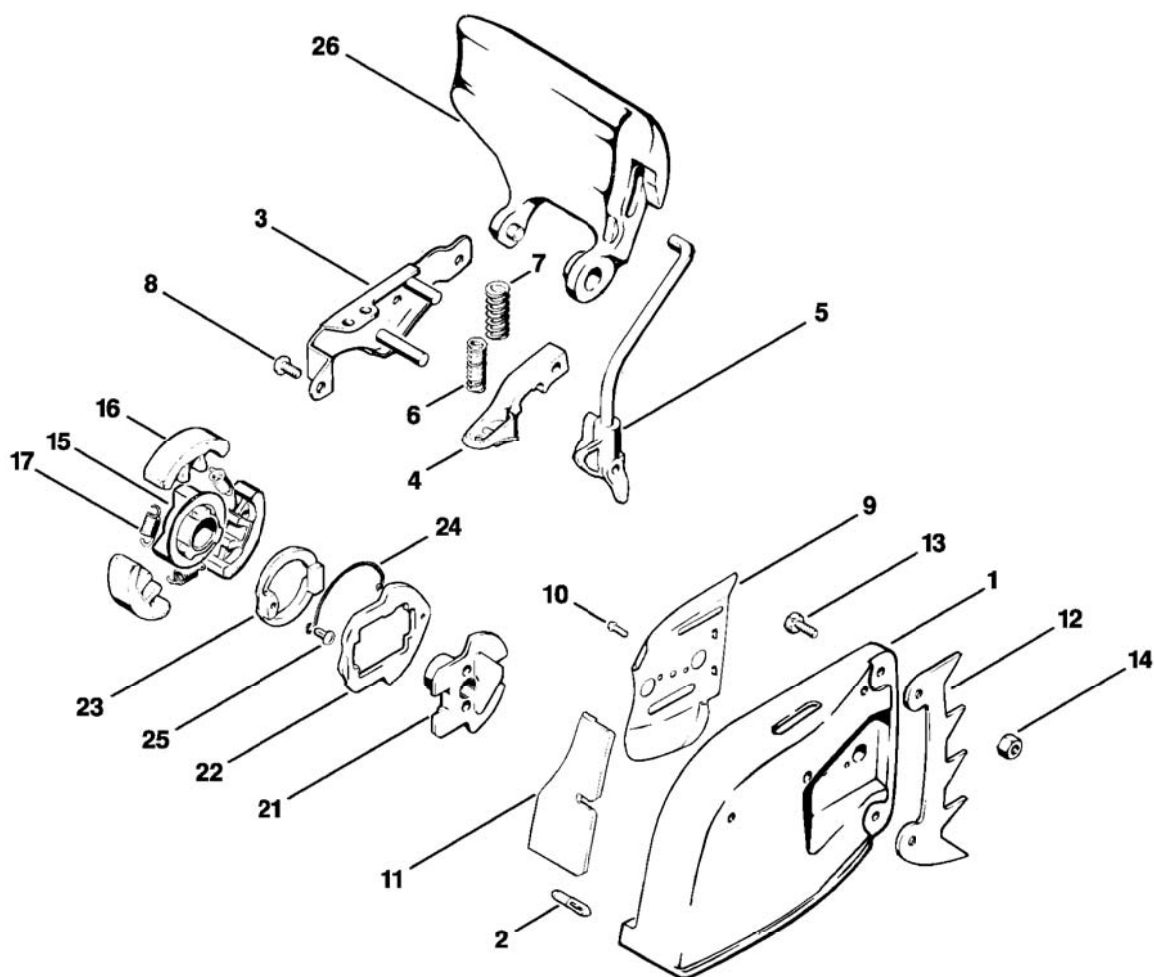
(1) 032 AV, (2) 032 AVE, (3) 032 AVEW, (4) 032 AVQ, (5) 032 AVEQ, (6) 032 AVEQW, (7) 032 AVEZ, (8) 032 AVEQZ



169ET015 LA

Ref.Nr.	Item code	Quantity	Description
1	1119 890 3405	1	Combination wrench
2	1107 191 1201	1	Locking screw
3	0811 270 1080	1	Allen key 4x70x130
4	0811 012 1152	1	Wrench 8x10
5	1110 893 8800	1	Hook
6	1110 893 4000	1	Filing gauge
7	0000 890 2300	1	Screwdriver
8	0000 891 0800	1	Tool roll
10	0000 792 9111	1	Chain scabbard
9	1113 890 3600	1	Wrench (B)
11	0811 411 8108	1	Round file Ø 5.5x200mm (B)
11	0811 411 8088	1	Round file Ø 4.8x200mm (B)
12	0811 490 7860	1	File handle A100 (B)
13	5605 893 4000	1	Filing gauge 0.325" (B)
	1113 900 5001	1	STIHL repair kit 032 (A, B)
	1113 007 1051	1	Set of gaskets 032 (A, B)
	1108 890 2500	1	Grease gun (A, B)
	0000 930 2201	1	Ignition lead 10m (A, B)
	0000 930 2202	1	Ignition lead 10m (A, B)
	0000 930 2203	1	Starter rope Ø 3.5mm x 30.5m (A, B)

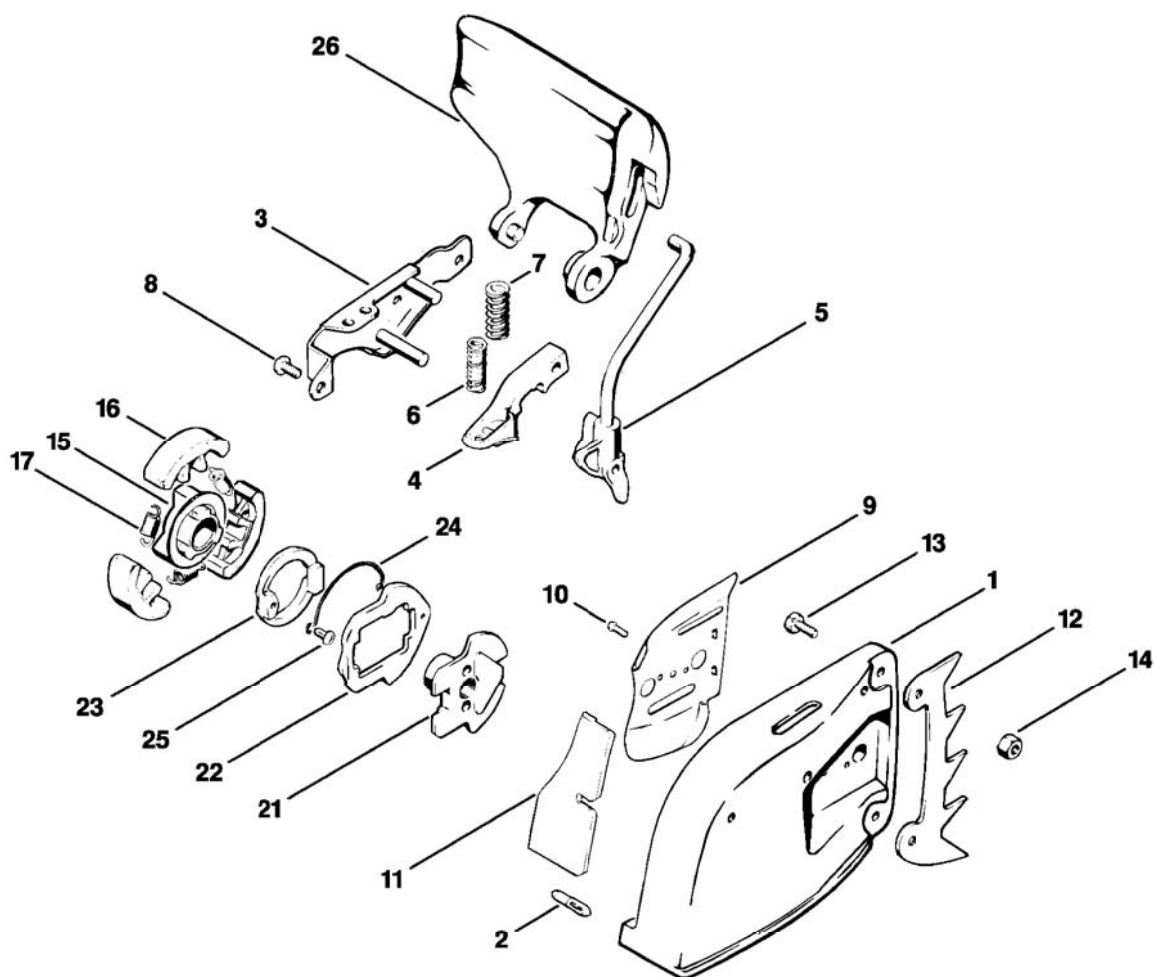
(1) 032 AV, (2) 032 AVE, (3) 032 AVEW, (4) 032 AVQ, (5) 032 AVEQ, (6) 032 AVEQW, (7) 032 AVEZ, (8) 032 AVEQZ



169ET016 LA

Ref.Nr.	Item code	Quantity	Description
	1113 640 1703	1	Chain sprocket cover (4,5,6,8) □ 1 - 14
1	1113 640 1704	1	Chain sprocket cover □ 2
2	0000 971 0608	1	Pin
3	1113 640 4901	1	Cover plate
4	1113 640 2801	1	Brake shoe
5	1113 640 2302	1	Cam
6	0000 997 1100	1	Helical spring
7	0000 997 0900	1	Helical spring
8	9079 319 0950	2	Flat head screw M5x10
9	1113 664 1100	1	Outer side plate
10	9441 065 1910	2	Round head rivet 3x8
11	1113 656 1501	1	Guard plate
12	1110 664 0501	1	Bumper spike
13	9008 319 0960	2	Hexagon head screw M5x12
14	9214 320 0700	2	Lock nut M5

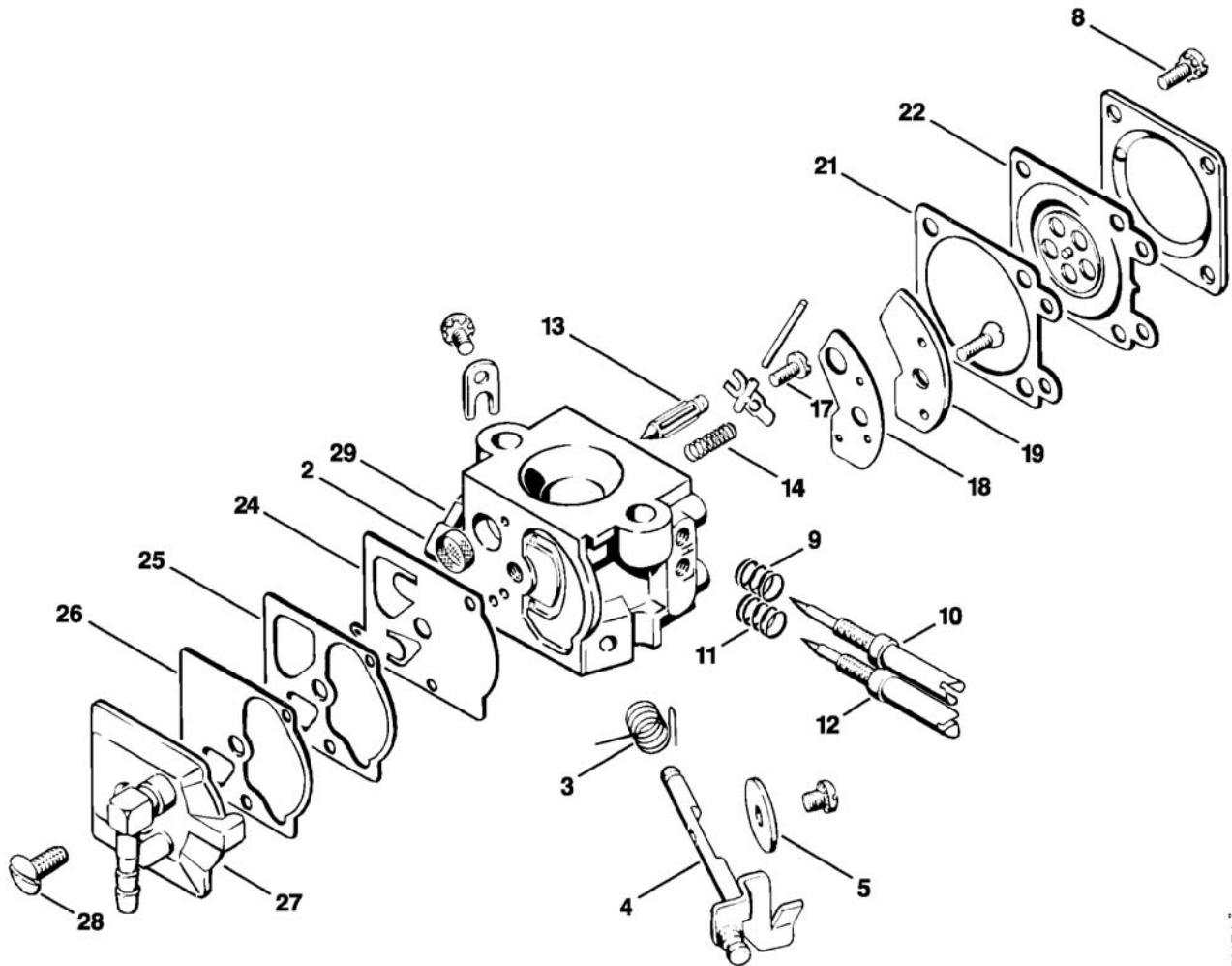
(1) 032 AV, (2) 032 AVE, (3) 032 AVEW, (4) 032 AVQ, (5) 032 AVEQ, (6) 032 AVEQW, (7) 032 AVEZ, (8) 032 AVEQZ



169ET016 LA

Ref.Nr.	Item code	Quantity	Description
	1113 160 2002	1	Clutch (4,5,6,8) □ 15 - 17
15	1113 160 2300	1	Carrier
16	1113 162 0802	3	Clutch shoe
17	0000 997 5811	3	Tension spring
	1113 160 3400	1	Drive disc (4,5,6,8) □ 21 - 25
21	1113 162 3601	1	Drive disc
22	1113 162 3901	1	Slide control
23	1113 160 4000	1	Locking slide □ 24, 25
24	1113 162 7801	1	Spring
25	1113 162 1200	1	Rivet
26	1114 792 9101	1	Hand guard (4,5,6,8)

(1) 032 AV, (2) 032 AVE, (3) 032 AVEW, (4) 032 AVQ, (5) 032 AVEQ, (6) 032 AVEQW, (7) 032 AVEZ, (8) 032 AVEQZ



169ET017 LA

Ref.Nr.	Item code	Quantity	Description
2	* 1114 121 7800	1	Strainer → 7 683 698
3	* 1113 122 3205	1	Torsion spring → 7 683 698
4	* 1113 120 7110	1	Throttle shaft with lever → 7 683 698
5	* 1114 121 3300	1	Throttle shutter → 7 683 698
9	* 1106 122 3000	1	Spring → 7 683 698
10	* 1113 122 6710	1	High speed adjustment screw → 7 683 698
11	* 1110 122 3030	1	Spring → 7 683 698
12	* 1113 122 6810	1	Low speed adjustment screw → 7 683 698
13	* 1110 121 5100	1	Inlet needle → 7 683 698
14	* 1114 122 3000	1	Spring → 7 683 698
17	* 1114 122 7400	1	Round head screw → 7 683 698
18	* 1113 129 0905	1	Gasket → 7 683 698
19	* 1113 121 7400	1	Plate → 7 683 698
21	* 1120 129 0900	1	Gasket → 7 683 698
22	* 1113 121 4705	1	Metering diaphragm → 7 683 698
24	* 1114 121 4800	1	Pump diaphragm → 7 683 698
25	* 1114 129 0900	1	Gasket → 7 683 698
26	* 1114 121 4600	1	Suction chamber diaphragm → 7 683 698
27	* 1113 121 0805	1	End cover → 7 683 698
28	* 1114 122 7100	1	Screw → 7 683 698
29	* 1117 122 3900	1	Elbow connector → 7 683 698
	* 1113 007 1060	1	Set of carburetor parts 032 → 7 683 698
			□ 18, 21 - 25

(1) 032 AV, (2) 032 AVE, (3) 032 AVEW, (4) 032 AVQ, (5) 032 AVEQ, (6) 032 AVEQW, (7) 032 AVEZ, (8) 032 AVEQZ