

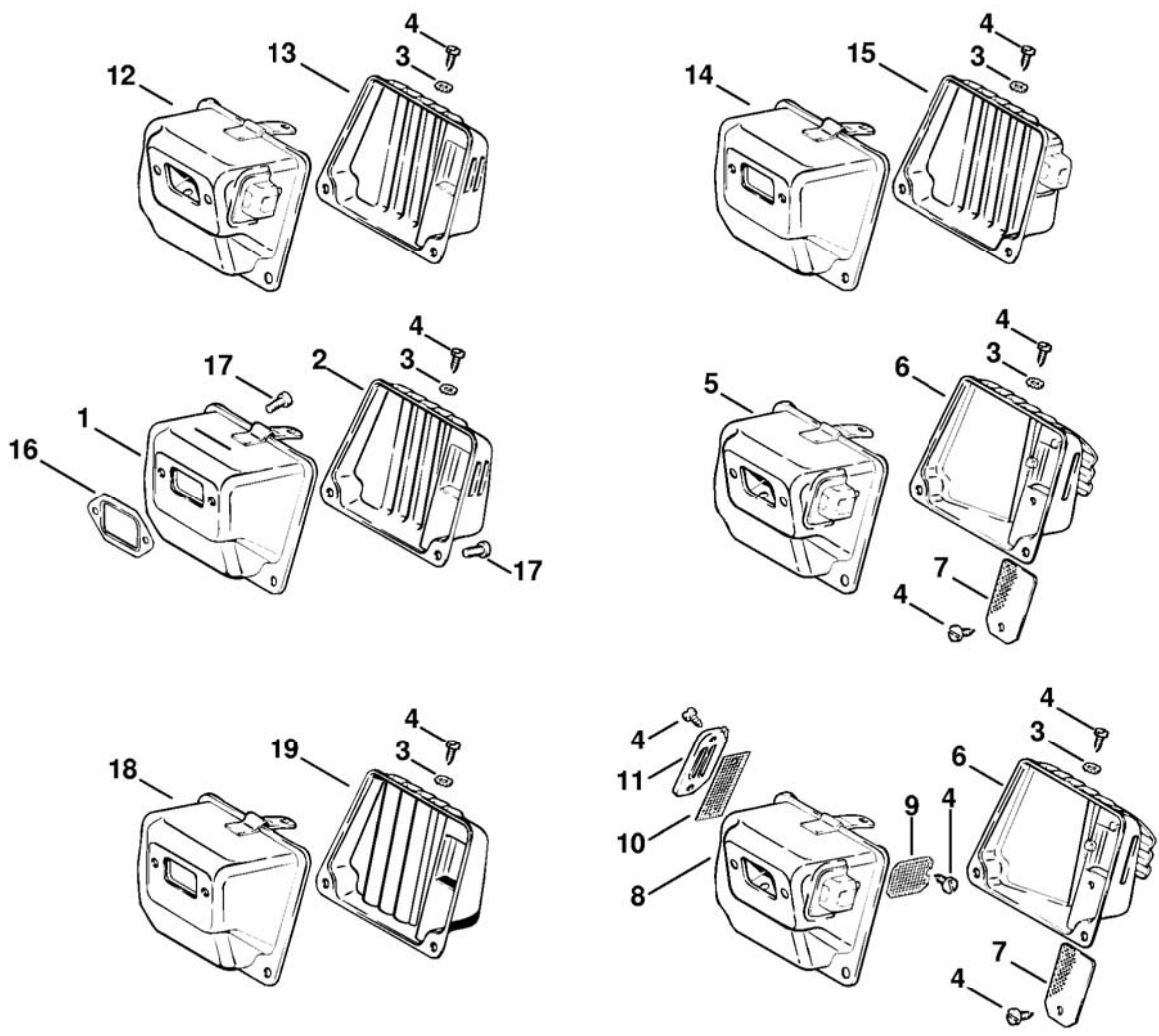
121ET047 SC

Ref.Nr.	Item code	Quantity	Description
1	1119 020 2118	1	Crankcase (1,3,5) □ 2 - 11
1	1119 020 2109	1	Crankcase (6,8,9) □ 2 - 11
1	1119 020 2119	1	Crankcase (2,4) □ 2 - 11
2	9371 470 2610	2	Cylindrical pin 5x18
3	0000 988 5211	1	Connector
4	1118 162 5200	1	Pin
5	1117 162 5225	2	Pin
6	1128 640 9100	1	Valve
7	1118 028 7400	1	Connector
8	9022 341 1010	6	Spline screw IS-M5x18
9	9456 621 4330	1	Circlip 40x1.75
10	9503 003 0440	1	Grooved ball bearing 6203
11	9503 003 0340	1	Grooved ball bearing 6202
12	9640 003 1880	1	Oil seal 17x39.9x5
13	9640 003 1340	1	Oil seal 13x22x5
14	1106 647 9404	1	Hose
15	1106 640 3801	1	Pickup body
16	1119 029 0500	1	Gasket
17	1119 030 0400	1	Crankshaft □ 18
18	1120 036 8500	1	Woodruff key 2x3.7
19	9512 003 3140	1	Needle cage 12x16x13
20	0000 350 0510	1	Filler cap □ 21 - 23
21	0000 359 1210	1	Sealing ring
22	0000 350 0900	1	Rope
23	0000 353 0600	1	Hook
	1119 007 1050	1	Set of gaskets □ 12, 13, 16

(1) 038, (2) 038 W, (3) 038 S, (4) 038 SW, (5) 038 FB, (6) 038 M, (7) 038 MW, (8) 038 MR II, (9) 038 MR

Ref.Nr.	Item code	Quantity	Description
1	1119 029 2301	1	Cylinder gasket 0.5mm (1,2,3,4,5)
2	1119 020 1201	1	Cylinder with piston Ø 50mm (1,2,3,4,5) □ 3 - 6
3	1119 030 2001	1	Piston Ø 50mm □ 4 - 6
4	1119 034 3000	2	Piston ring Ø 50x1.5mm
5	1108 034 1501	1	Piston pin
6	9463 650 1200	2	Snap ring 12x1
7	1119 029 2302	1	Cylinder gasket (6,7,8,9)
8	1119 029 2303	1	Cylinder gasket 1mm low compression
9	1119 020 1202	1	Cylinder with piston Ø 52mm (6,7,8,9) □ 5, 6, 10, 11
10	1119 030 2002	1	Piston Ø 52mm □ 5, 6, 11
11	1115 034 3010	2	Piston ring Ø 52x1.5mm
12	9022 341 1010	4	Spline screw IS-M5x18
13	9771 021 2580	1	Hose clip Ø 34x7
14	1119 141 2200	1	Manifold
15	1119 141 1800	1	Sleeve
16	1125 149 0601	1	Exhaust gasket
17	0000 400 7000	1	Spark plug NGK BPMR7A
17	1110 400 7005	1	Spark plug Bosch WSR 6 F
	1119 007 1050	1	Set of gaskets □ 1, 7, 16

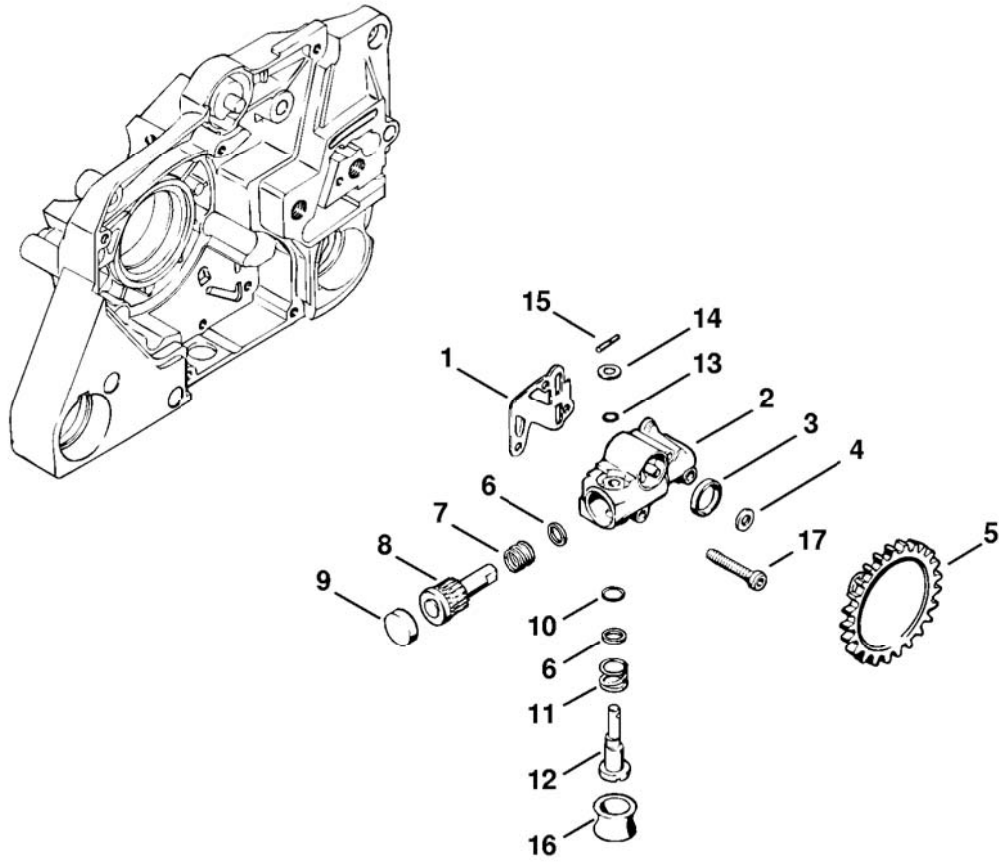
(1) 038, (2) 038 W, (3) 038 S, (4) 038 SW, (5) 038 FB, (6) 038 M, (7) 038 MW, (8) 038 MR II, (9) 038 MR



121ET064-SC

Ref.Nr.	Item code	Quantity	Description
	1119 007 1005	1	Muffler kit Standard □ 1- 4
1	1119 145 0701	1	Inlet casing Standard
2	1119 145 0800	1	Exhaust casing Standard
3	9330 630 0100	1	Shake-proof washer 4.3
4	9099 021 0810	1	Self-tapping screw 4.2x9.5
	1119 007 1027	1	Muffler kit USA, CDN, AUS □ 3 - 7
5	1119 140 0901	1	Inlet casing USA, CDN, AUS
6	1119 140 0802	1	Exhaust casing USA, CDN, AUS □ 4, 7
7	1110 141 9000	1	Screen USA, CDN, AUS
	1119 007 1028	1	Muffler kit (8) USA, CDN, AUS □ 3, 4, 6 - 11
8	1119 140 0902	1	Inlet casing (8) USA, CDN, AUS □ 4, 9 - 11
9	1119 141 9001	1	Screen (8) USA, CDN, AUS
10	1119 141 9000	1	Screen (8) USA, CDN, AUS
11	1119 145 0600	1	Louver plate (8) USA, CDN, AUS
	1119 007 1030	1	Muffler kit available in Brazil only □ 3, 4, 12, 13
12	1119 145 0703	1	Inlet casing available in Brazil only
13	1119 145 0802	1	Exhaust casing available in Brazil only
14	1119 140 0603	1	Muffler (B) available in Brazil only □ 15
15	1119 140 0803	1	Exhaust casing (B) available in Brazil only
16	1125 149 0601	1	Exhaust gasket (B)
17	9022 341 1010	4	Spline screw IS-M5x18
18	1119 140 0601	1	Muffler (B) BR □ 19
19	1119 145 0801	1	Exhaust casing (B) BR
	1119 007 1050	1	Set of gaskets □ 16

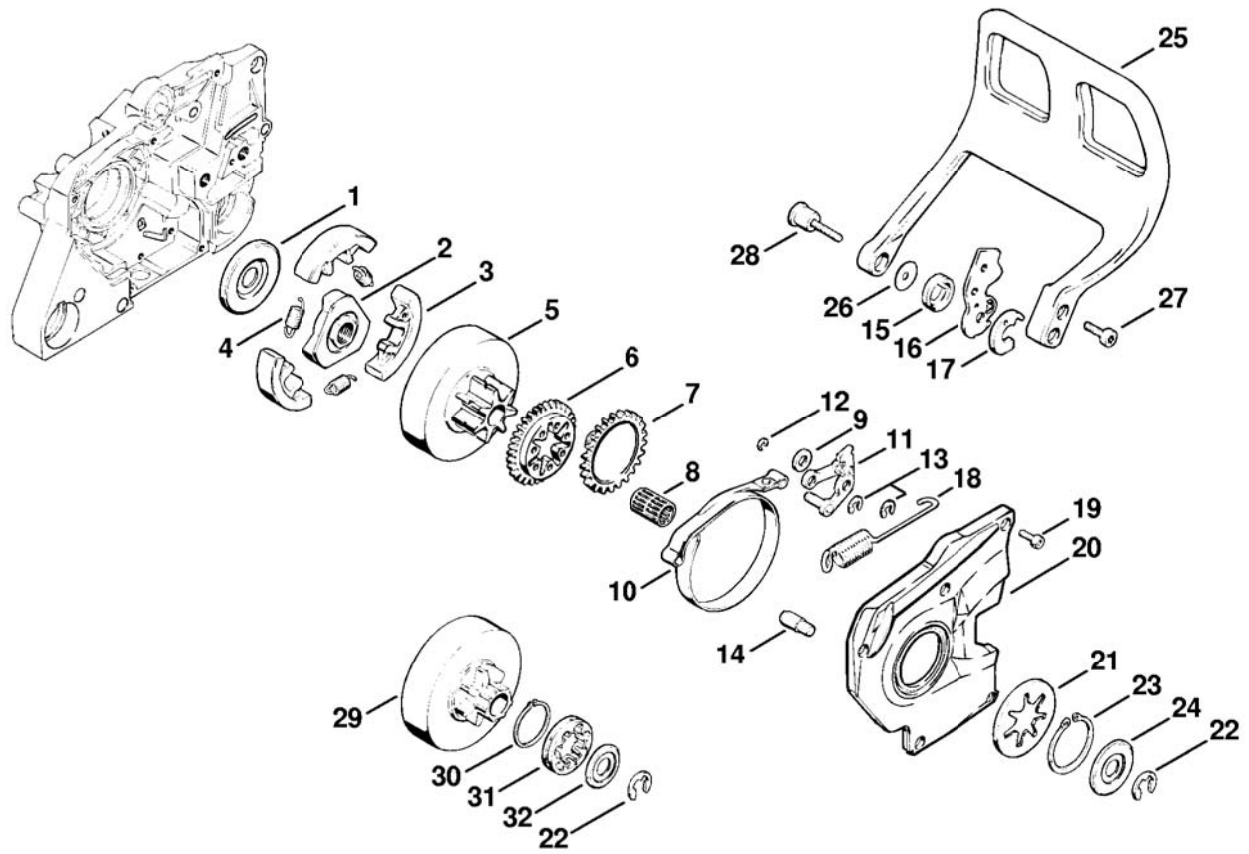
(1) 038, (2) 038 W, (3) 038 S, (4) 038 SW, (5) 038 FB, (6) 038 M, (7) 038 MW, (8) 038 MR II, (9) 038 MR



121ET049 SC

Ref.Nr.	Item code	Quantity	Description
1	1117 649 1100	1	Gasket
	1119 640 3200	1	Oil pump □ 2 - 15
2	1117 640 3001	1	Pump housing □ 3
3	9643 950 1160	1	Sealing ring 12x16x3
4	0000 958 0406	1	Washer
5	1119 640 7100	1	Worm
6	0000 958 0701	2	Washer
7	0000 997 1010	1	Compression spring
8	1117 647 0601	1	Pump piston
9	0000 988 6220	1	Plug
10	9646 945 0490	1	O-ring 7x1.5
11	0000 997 1200	1	Helical spring
12	1117 647 4801	1	Control bolt
13	9646 945 0230	1	O-ring 5x1.25
14	9486 648 0100	1	Cup spring 10
15	1117 647 9800	1	Pin
16	0000 989 0401	1	Rubber ring
17	9022 313 0740	3	Spline screw IS-M4x25

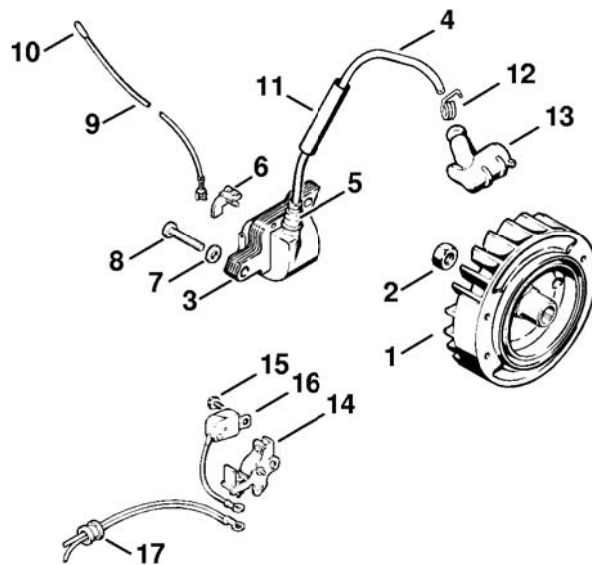
(1) 038, (2) 038 W, (3) 038 S, (4) 038 SW, (5) 038 FB, (6) 038 M, (7) 038 MW, (8) 038 MR II, (9) 038 MR



121ET065 SC

Ref.Nr.	Item code	Quantity	Description
1	1119 162 8915	1	Washer
	1119 160 2000	1	Clutch □ 2 - 4
2	1119 162 3200	1	Carrier
3	1119 162 0800	3	Clutch shoe
4	0000 997 0907	3	Tension spring
5	1119 640 2000	1	Chain sprocket 3/8" 7T
6	1119 642 1501	1	Spur gear
7	1119 640 7100	1	Worm
8	9512 933 3150	1	Needle cage 12x16x24
9	0000 958 0704	1	Washer
10	1119 160 5401	1	Brake band
11	1118 160 5002	1	Lever
12	9468 621 0330	1	Circlip 6x0.7
13	9460 624 0500	2	E-clip 5
14	1119 162 5205	1	Pin
15	0000 998 1801	1	Torsion spring
16	1117 162 5020	1	Lever
17	1117 162 8906	1	Sealing washer
18	1119 162 7900	1	Tension spring
19	9022 313 0660	5	Spline screw IS-M4x12
20	1119 021 1102	1	Cover
21	1119 642 7800	1	Washer
22	9460 624 1001	1	E-clip 10x1.5
23	9455 621 4010	1	Circlip 36x1.2
24	0000 958 1232	1	Washer
25	1117 790 9100	1	Hand guard
26	0000 958 0512	1	Washer
27	9022 341 0980	2	Spline screw IS-M5x16
28	0000 790 6102	1	Screw assy.
	1119 007 1003	1	Rim sprocket kit 3/8" 7T □ 22, 29 - 32
29		1	Clutch drum (D)
30	9455 621 2790	1	Circlip 25x1.2
31	0000 642 1223	1	Rim sprocket 3/8" 7T
32	0000 958 1231	1	Washer

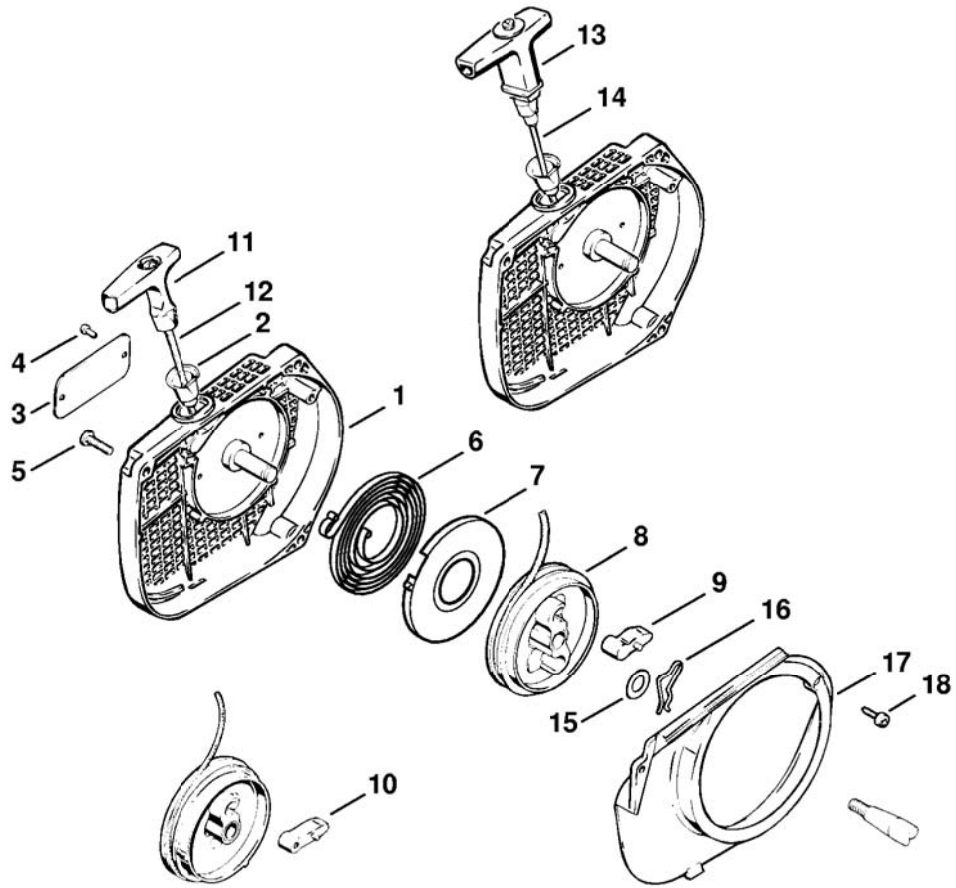
(1) 038, (2) 038 W, (3) 038 S, (4) 038 SW, (5) 038 FB, (6) 038 M, (7) 038 MW, (8) 038 MR II, (9) 038 MR



121ET051 SC

Ref.Nr.	Item code	Quantity	Description
1	1119 400 1206	1	Flywheel (1,3,5,6,8,9)
2	9210 261 1140	1	Hexagon nut M8x1
3	0000 400 1300	1	Ignition module □ 4 - 6
4		1	Ignition lead 140mm
	0000 405 0600	1	Ignition lead 1m (B)
	0000 930 2251	1	Ignition lead 10m (B)
5	0000 989 1010	1	Grommet
6	0000 448 1250	1	Lead retainer
7	9294 021 0120	2	Washer 5.3
8	9022 341 1050	2	Spline screw IS-M5x25
9	1118 440 1100	1	Short circuit wire 330mm / 13" □ 10
10	1110 442 7000	1	Contact sleeve
11	1119 405 8000	1	Hose
11	1119 405 8005	1	Hose available in Brazil only
12	0000 998 0604	1	Torsion spring
13	1128 405 1000	1	Spark plug boot
14	* 1118 400 2000	1	Set of points (1)
15	* 9047 319 0650	3	Pan head screw M4x10 (1)
16	* 1118 404 3400	1	Capacitor (1)
17	* 0000 989 0809	1	Grommet (1)

(1) 038, (2) 038 W, (3) 038 S, (4) 038 SW, (5) 038 FB, (6) 038 M, (7) 038 MW, (8) 038 MR II, (9) 038 MR

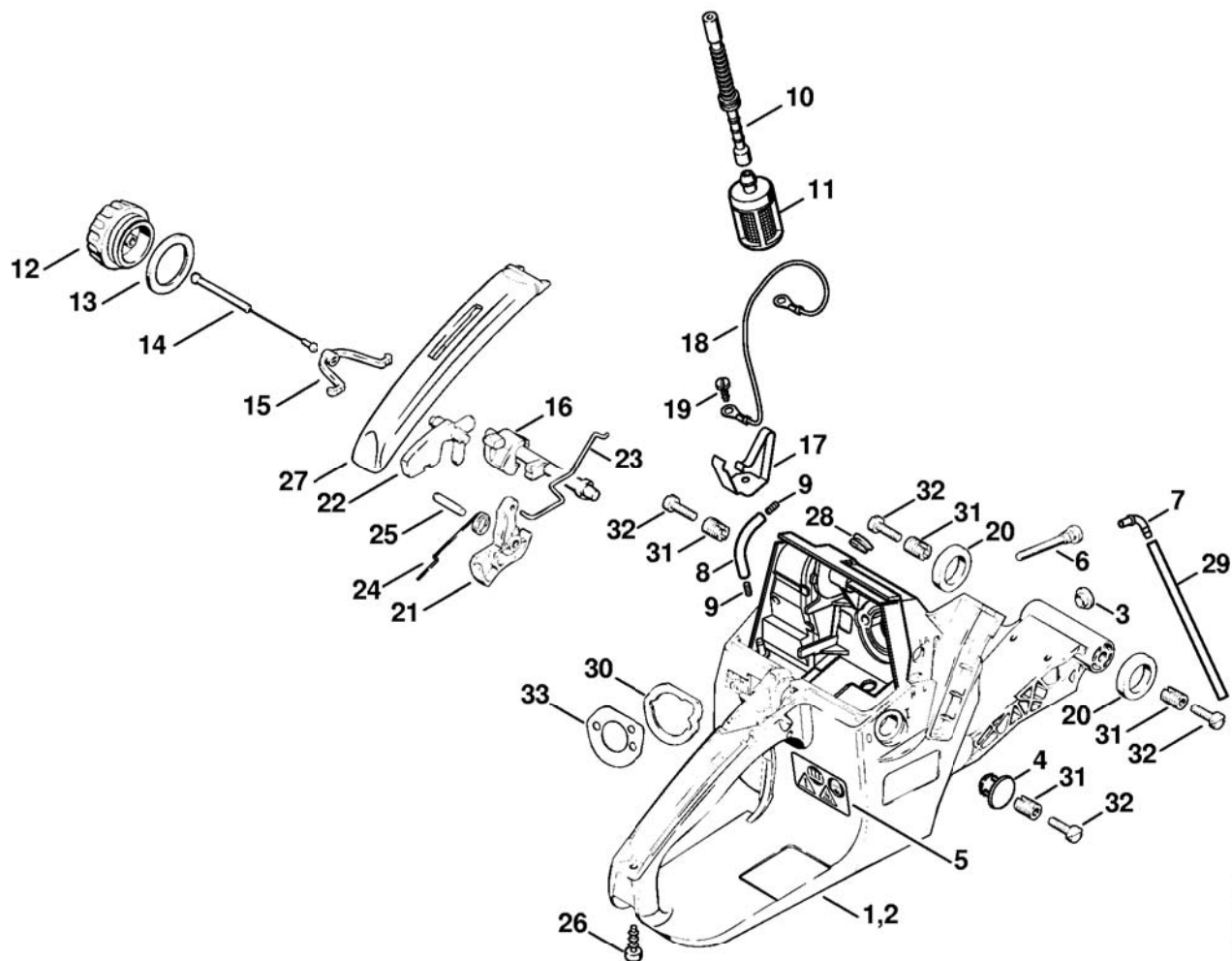


121ET071 SC

Illustration **G** Rewind starter

Ref.Nr.	Item code	Quantity	Description
1	1119 080 1800	1	Fan housing □ 2 - 4
2	1110 084 9102	1	Bushing
3	0000 967 2020	1	Nameplate STIHL
3	0000 967 2018	1	Nameplate STIHL available in Brazil only
4	0000 974 1000	2	Round head rivet 3x6
5	9022 341 1010	2	Spline screw IS-M5x18
6	1117 190 0601	1	Rewind spring □ 7
7	1117 195 0301	1	Spring housing
8	1117 007 1014	1	Rope rotor kit □ 9
9	1124 195 7200	1	Pawl
10	* 1117 195 7200	1	Pawl → X 15 378 613 (07.86)
11	1121 195 3400	1	Starter grip
12	1107 195 8200	1	Starter rope Ø 4.5x1000mm
	0000 930 2200	1	Starter rope Ø 4.5mm x 30.5m (B)
13	1122 190 3400	1	Starter grip ElastoStart AUS □ 14
14	1122 190 2900	1	Starter rope Ø 4.5mm AUS
	0000 930 2268	1	Starter rope Ø 4.5mm / 28 pieces (B) AUS
15	1118 162 8935	1	Washer
16	1117 195 3500	1	Spring
17	1119 084 7800	1	Segment
18	9022 313 0660	2	Spline screw IS-M4x12

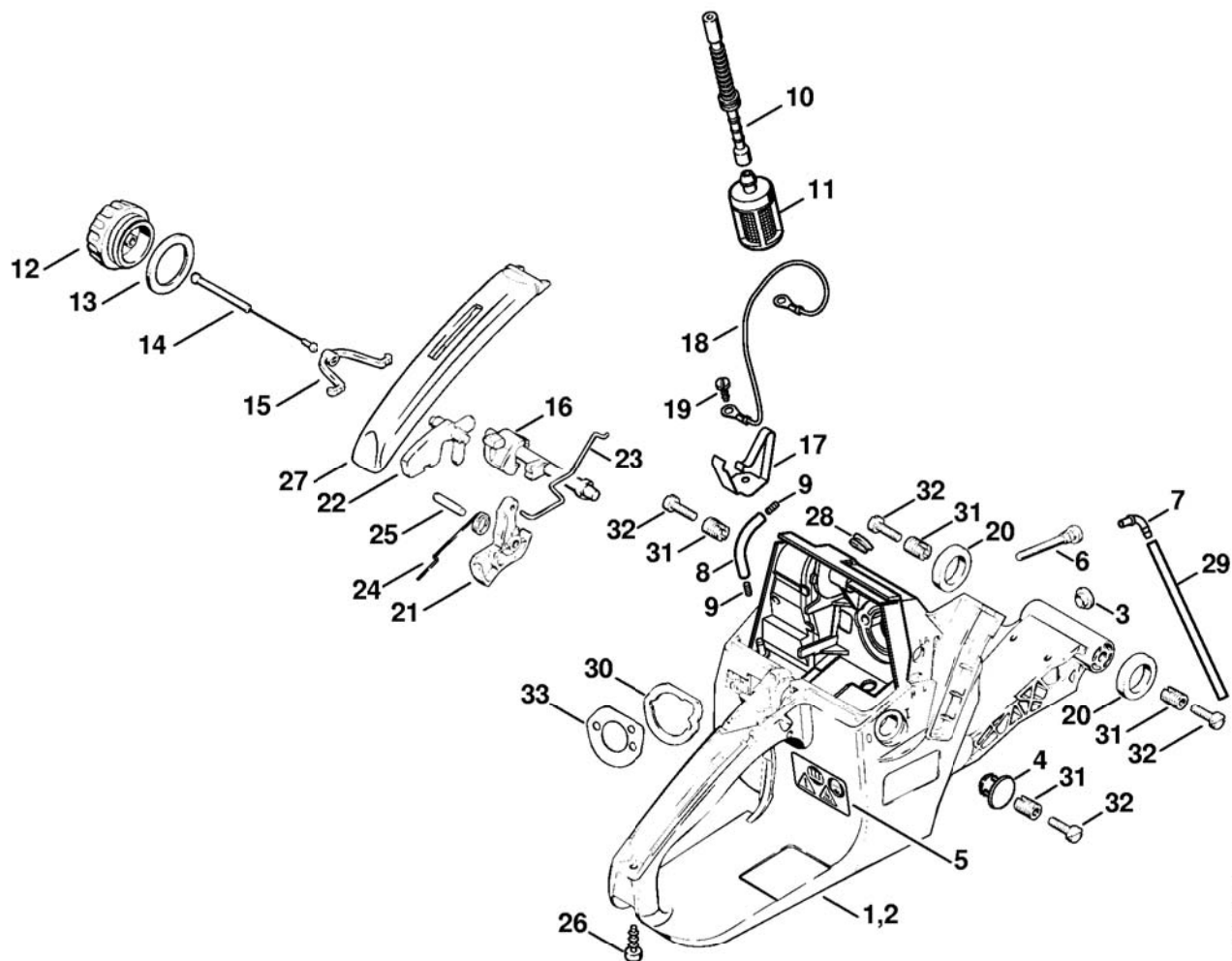
(1) 038, (2) 038 W, (3) 038 S, (4) 038 SW, (5) 038 FB, (6) 038 M, (7) 038 MW, (8) 038 MR II, (9) 038 MR



121ET062 SC

Ref.Nr.	Item code	Quantity	Description
	1119 350 0850	1	Tank housing □ 1, 3 - 29
1	1119 350 0822	1	Tank housing □ 3 - 7
2	1119 350 0823	1	Tank housing available in Brazil only □ 5 - 7
3	9302 929 0400	1	Plug
4	1118 145 9001	1	Plug
5	0000 967 3662	1	Warning pictogram MS
6	1125 122 6600	2	Collar screw
7	1119 122 3900	1	Elbow connector
8	1117 350 5800	1	Tank vent □ 9
9	1120 358 8105	2	Vent insert
10	1119 358 7700	1	Hose
11	0000 350 3504	1	Pickup body
12	0000 350 0520	1	Filler cap □ 13 - 15
13	0000 359 1220	1	Sealing ring
14	0000 350 0900	1	Rope
15	0000 353 0600	1	Hook
16	1118 182 0900	1	Switch shaft
17	1118 442 1600	1	Contact spring
18	1117 440 2200	1	Ground wire 200mm / 7 7/8"
19	9100 021 0810	1	Self-tapping screw 4.2x9.5
20	1119 791 8400	2	Ring
21	1118 182 1006	1	Throttle trigger
22	1117 182 0805	1	Trigger interlock
23	1119 182 1501	1	Throttle rod
24	1117 182 4500	1	Torsion spring
25	9371 470 2640	1	Cylindrical pin 5x24
26	9074 478 3076	1	Pan head self-tapping screw IS-P4x19
27	1118 791 0602	1	Handle molding
28	0000 989 0808	1	Grommet
29		1	Hose 3.1x5.7x102mm (D)
	0000 930 2803	1	Hose 3.1x5.7x1000mm (A,B)
	0712 923 8004	1	Tube flexible 3,1x5,7x10 m / 33' (A,B)
30	1119 121 8600	1	Washer

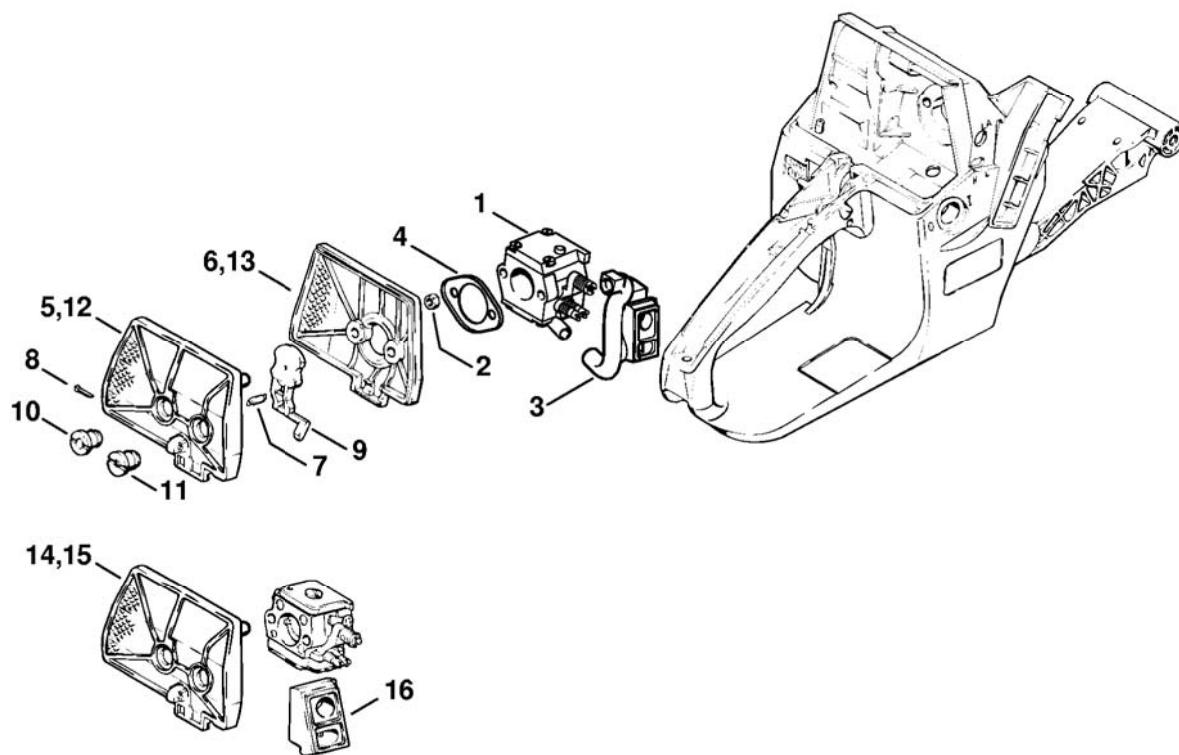
(1) 038, (2) 038 W, (3) 038 S, (4) 038 SW, (5) 038 FB, (6) 038 M, (7) 038 MW, (8) 038 MR II, (9) 038 MR



121ET062 SC

Ref.Nr.	Item code	Quantity	Description
31	* 9799 543 0900	4	Helicoil thread insert M6 → X 13 360 413 (32.84)
32	* 9041 216 1280	4	Pan head screw M6x16 → X 13 360 413 (32.84)
33	* 1119 129 1100	1	Gasket → X 13 360 413 (32.84)
	* 1119 007 1017	1	Tank housing assembly □ 1, 3 - 7, 18, 19, 30, 33
	* 1119 007 1007	1	Tank housing assembly available in Brazil only □ 2, 5 - 7, 18 - 20, 28, 30

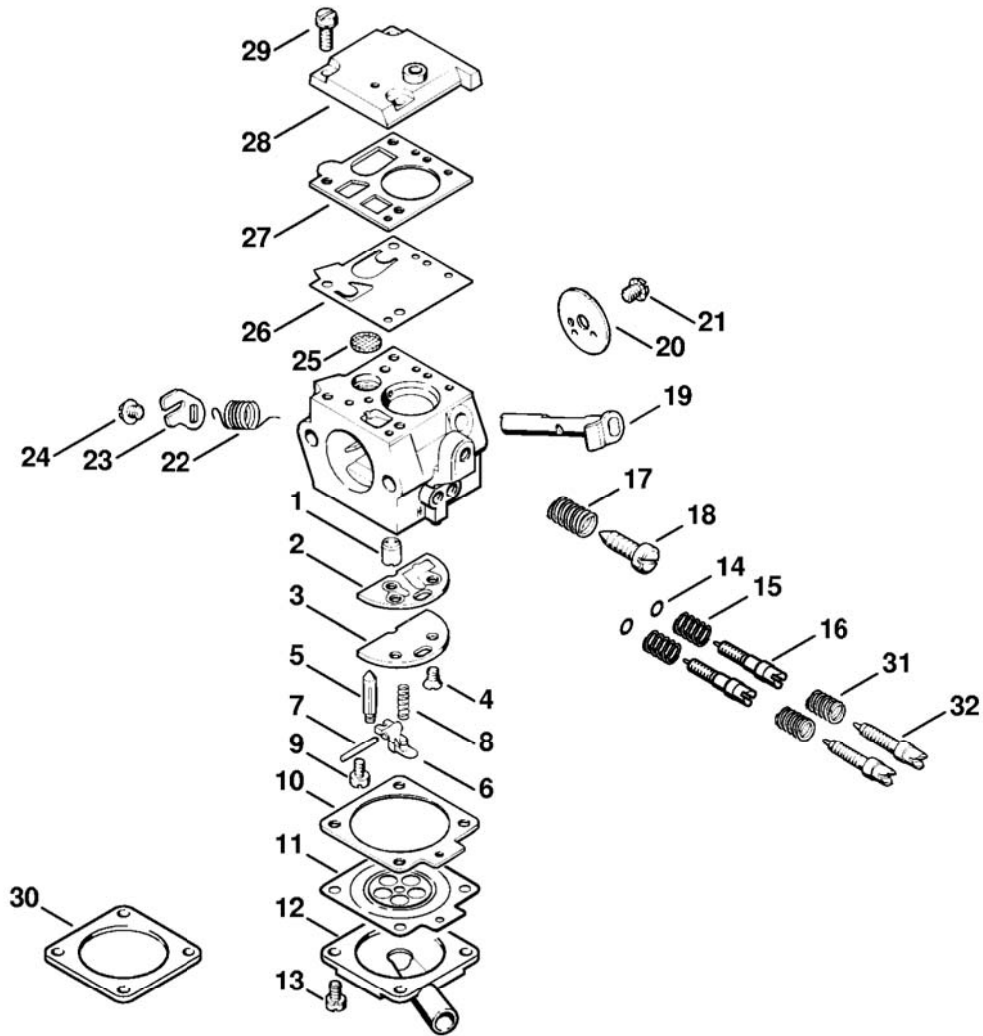
(1) 038, (2) 038 W, (3) 038 S, (4) 038 SW, (5) 038 FB, (6) 038 M, (7) 038 MW, (8) 038 MR II, (9) 038 MR



121ET064-SC

Ref.Nr.	Item code	Quantity	Description
1	1119 120 0650	1	Carburetor Bing 48A101C
1	1119 120 0651	1	Carburetor Bing 48A125A available in Brazil only
2	9210 260 0700	2	Hexagon nut M5
3	1119 123 7501	1	Grommet
4	1127 121 7000	1	Baffle
	1119 120 1615	1	Air filter, wire mesh □ 5 - 11
5	1119 120 1605	1	Air filter, wire mesh
6	1119 120 1603	1	Air filter, wire mesh
7	0000 997 5505	1	Tension spring
8	9395 825 1090	1	Split pin 2x10
9	1119 121 2900	1	Choke shutter
10	1113 140 9510	1	Slotted nut
11	1125 141 8300	1	Slotted nut
	1119 120 1614	1	Air filter, fleece □ 7 - 13
12	1119 120 1606	1	Air filter, fleece
13	1119 120 1602	1	Air filter, fleece
	* 1119 120 1610	1	Air filter, wire mesh → 1 44 381 326, 3 44 899 959 (48.1999) □ 6 - 11, 14
14	* 1119 120 1600	1	Air filter, wire mesh → 1 44 381 326, 3 44 899 959 (48.1999)
	* 1119 120 1611	1	Air filter, fleece → 1 44 381 326, 3 44 899 959 (48.1999) □ 7 - 11, 13, 15
15	* 1119 120 1601	1	Air filter, fleece → 1 44 381 326, 3 44 899 959 (48.1999)
16	* 1119 123 7500	1	Grommet → 1 44 381 326, 3 44 899 959 (48.1999)

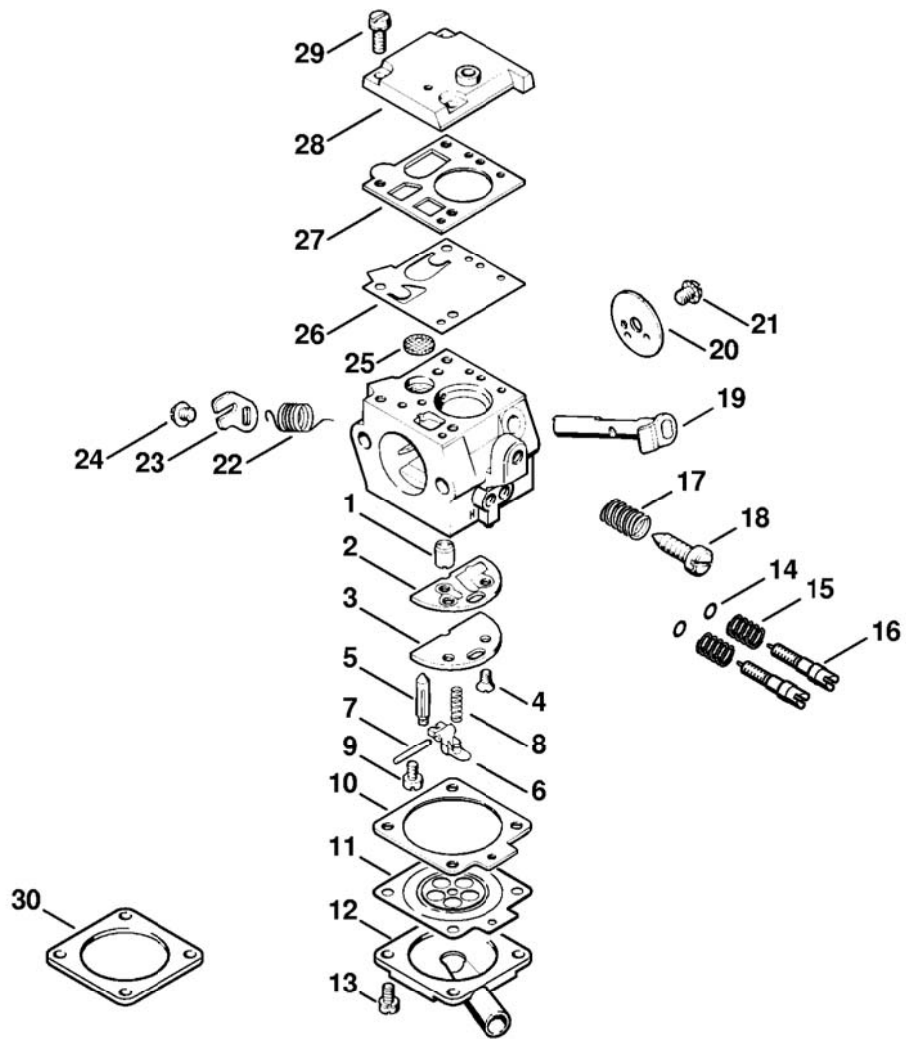
(1) 038, (2) 038 W, (3) 038 S, (4) 038 SW, (5) 038 FB, (6) 038 M, (7) 038 MW, (8) 038 MR II, (9) 038 MR



121ET055 SC

Ref.Nr.	Item code	Quantity	Description
	1119 120 0650	1	Carburetor Bing 48A101C □ 1 - 30
1	1119 121 5402	1	Valve jet
2	1119 129 0900	1	Gasket
3	1119 121 7401	1	Plate
4	1119 122 7900	2	Countersunk screw
5	1110 121 5100	1	Inlet needle
6	1119 121 5001	1	Inlet control lever
7	1119 121 9200	1	Spindle
8	1119 122 3001	1	Spring
9	1119 122 7101	1	Screw
10	1119 129 0905	1	Gasket
11	1119 121 4701	1	Metering diaphragm
12	1119 121 0803	1	End cover
13	1119 122 7200	4	Pan head screw
14	1119 122 3600	2	Sealing ring
15	1119 122 3004	2	Spring
16	1119 122 6602	2	High speed adjustment screw
17	1119 122 3003	1	Spring
18	1119 122 6201	1	Idle speed adjustment screw
19	1119 120 7102	1	Throttle shaft with lever
20	1119 121 3301	1	Throttle shutter
21	1119 122 7102	1	Screw
22	1119 122 3201	1	Torsion spring
23	1119 121 2801	1	Strap
24	1119 122 7210	1	Pan head screw
25	1119 121 7801	1	Strainer
26	1119 121 4801	1	Pump diaphragm
27	1119 129 0910	1	Gasket
28	1119 121 0802	1	End cover
29	1119 122 7205	3	Pan head screw
	1119 007 1062	1	Set of carburetor parts □ 2, 10, 11, 26, 27
	1119 007 1066	1	Set of carburetor parts □ 2, 5, 6, 10, 11, 25 - 27
30	* 1119 121 0801	1	End cover → 1 44 381 326, 3 44 899 959 (48.1999)
31	* 1119 122 3002	2	Spring → 1 44 381 326, 3 44 899 959 (48.1999)
32	* 1119 122 6601	2	High speed adjustment screw → 1 44 381 326, 3 44 899 959 (48.1999)

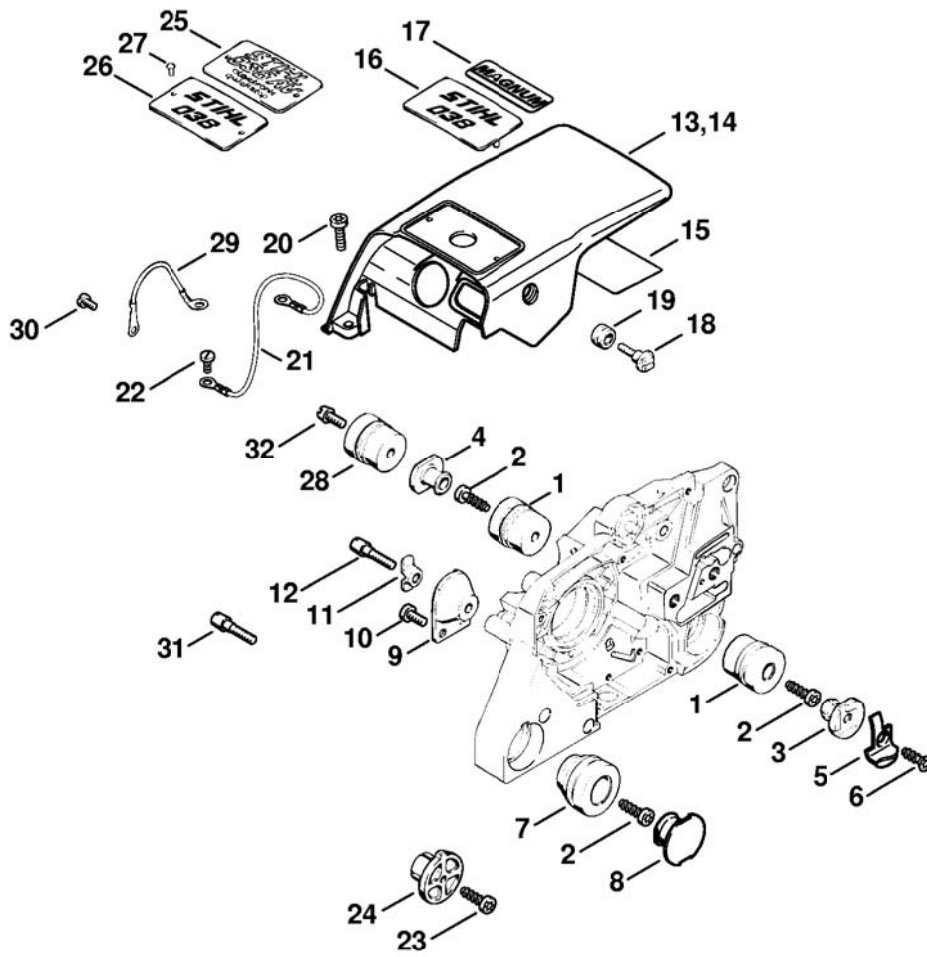
(1) 038, (2) 038 W, (3) 038 S, (4) 038 SW, (5) 038 FB, (6) 038 M, (7) 038 MW, (8) 038 MR II, (9) 038 MR



121ET070 SC

Ref.Nr.	Item code	Quantity	Description
	1119 120 0651	1	Carburetor Bing 48A125A available in Brazil only □ 1 - 30
1	1119 121 5402	1	Valve jet
2	1119 129 0900	1	Gasket
3	1119 121 7402	1	Plate available in Brazil only
4	1119 122 7900	2	Countersunk screw
5	1110 121 5100	1	Inlet needle
6	1119 121 5001	1	Inlet control lever
7	1119 121 9200	1	Spindle
8	1119 122 3001	1	Spring
9	1119 122 7101	1	Screw
10	1119 129 0905	1	Gasket
11	1119 121 4701	1	Metering diaphragm
12	1119 121 0803	1	End cover
13	1119 122 7200	4	Pan head screw
14	1119 122 3600	2	Sealing ring
15	1119 122 3004	2	Spring
16	1119 122 6602	2	High speed adjustment screw
17	1119 122 3003	1	Spring
18	1119 122 6201	1	Idle speed adjustment screw
19	1119 120 7102	1	Throttle shaft with lever
20	1119 121 3301	1	Throttle shutter
21	1119 122 7102	1	Screw
22	1119 122 3201	1	Torsion spring
23	1119 121 2801	1	Strap
24	1119 122 7210	1	Pan head screw
25	1119 121 7801	1	Strainer
26	1119 121 4801	1	Pump diaphragm
27	1119 129 0910	1	Gasket
28	1119 121 0802	1	End cover
29	1119 122 7205	3	Pan head screw
30	* 1119 121 0801	1	End cover
	1119 007 1062	1	Set of carburetor parts □ 2, 10, 11, 26, 27
	1119 007 1066	1	Set of carburetor parts □ 2, 5, 6, 10, 11, 25 - 27

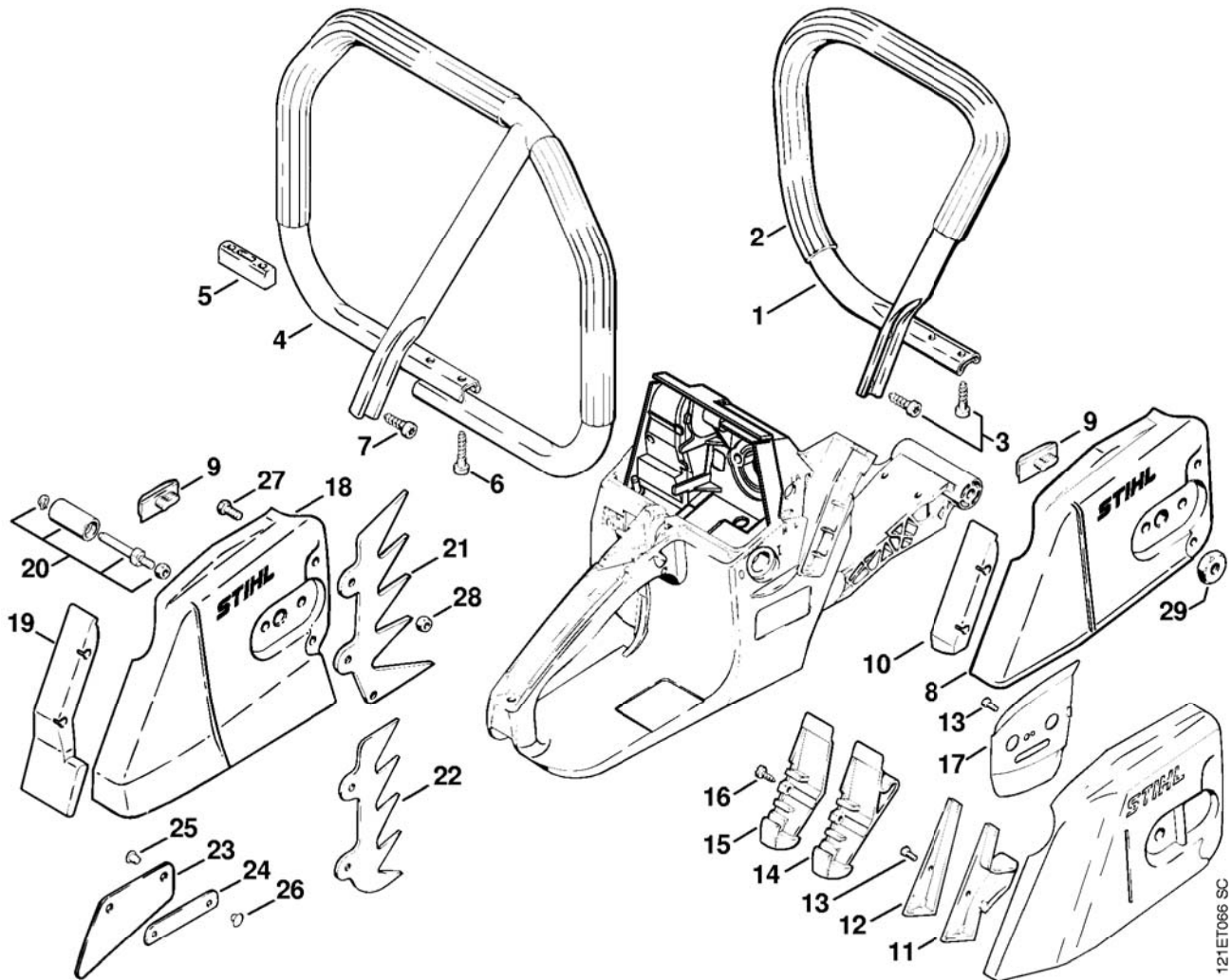
(1) 038, (2) 038 W, (3) 038 S, (4) 038 SW, (5) 038 FB, (6) 038 M, (7) 038 MW, (8) 038 MR II, (9) 038 MR



121ET063 SC

Ref.Nr.	Item code	Quantit	Description
1	1121 790 9912	2	Annular buffer
2	9074 478 4435	3	Pan head self-tapping screw IS-P6x19
3	1119 791 7305	1	Plug
4	1119 791 7306	1	Plug
5	1125 650 7700	1	Chain catcher □ 6
6	9104 003 3065	1	Self-tapping screw P6.3x18
7	1121 790 9909	1	Annular buffer
8	1125 791 7306	1	Plug
9	1118 790 9930	1	Annular buffer
10	9022 341 0960	2	Spline screw IS-M5x12
11	1121 791 1200	1	Retainer
12	1121 791 6105	1	Pan head screw
13	1119 080 1600	1	Shroud □ 15
14	1119 080 1601	1	Shroud available in Brazil only □ 15
15	1119 084 8300	1	Reflector foil
16	1119 967 1512	1	Model plate 038
17	0000 967 1593	1	Model plate Magnum
18	1124 084 8700	1	Collar screw
19	1124 084 8900	1	Ring
20	9022 341 1010	2	Spline screw IS-M5x18
21	1117 440 2200	1	Ground wire 200mm / 7 7/8"
22	9100 021 0810	1	Self-tapping screw 4.2x9.5
23	* 9074 478 4425	1	Pan head self-tapping screw IS-P6x19 → X 18 722 979 (36.88)
24	* 1118 791 7305	1	Plug → X 18 722 979 (36.88)
25	* 1119 967 1503	1	Model plate 038 AVEQ → X 18 722 979 (36.88)
26	* 1119 967 1511	1	Model plate 038 → X 18 722 979 (36.88)
27	* 0000 974 1000	2	Round head rivet 3x6 → X 18 722 979 (36.88)
28	* 1121 790 9911	2	Annular buffer (02.88)
29	* 1118 440 2200	1	Ground wire → X 13 360 413 (32.84)
30	* 9041 216 0610	1	Pan head screw M4x6 → X 13 360 413 (32.84)
31	* 1118 792 3300	1	Screw → X 13 360 413 (32.84)
32	* 1118 791 6105	1	Pan head screw → X 13 360 413 (32.84)
	* 1119 007 1017	1	Tank housing assembly □ 1, 7, 11, 12, 21 - 23
	* 1119 007 1007	1	Tank housing assembly available in Brazil only □ 2, 11, 12, 21, 22

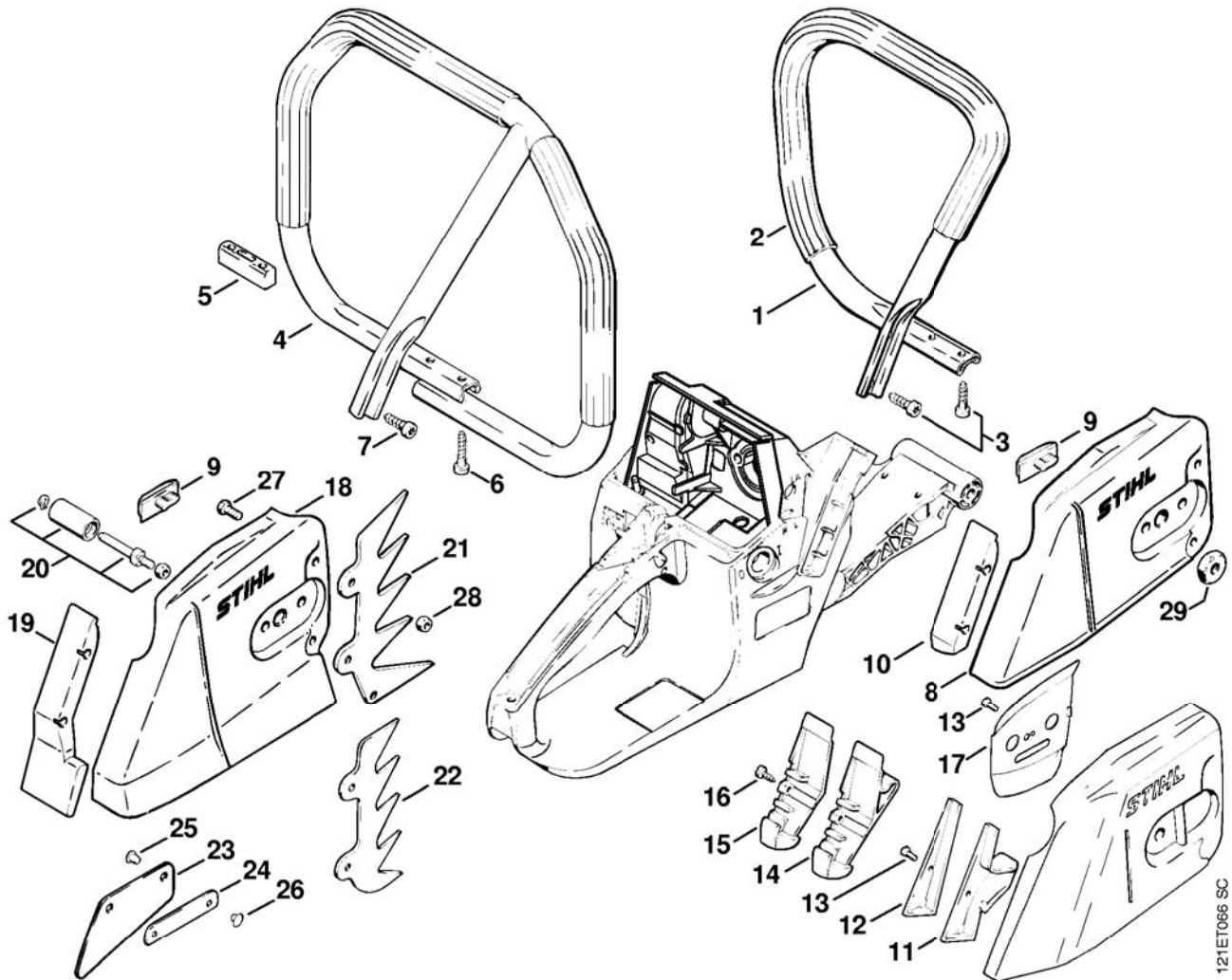
(1) 038, (2) 038 W, (3) 038 S, (4) 038 SW, (5) 038 FB, (6) 038 M, (7) 038 MW, (8) 038 MR II, (9) 038 MR



121ET066 SC

Ref.Nr.	Item code	Quantity	Description
1	1119 790 1700	1	Handlebar (1,2,3,4,5,6,7) □ 2
2		1	Handle hose 450mm / 17 13/16" (1,2,3,4,5,6,7)
	0000 791 2009	1	Handle hose Ø 19 mm x 5m / 3/4x197" (B)
3	9074 478 4435	4	Pan head self-tapping screw IS-P6x19 (1,2,3,4,5,6,7)
4	1119 790 3605	2	Wrap around handlebar with hose 350, 210mm (8,9)
5	1119 791 4500	1	Spacer (8,9)
6	9074 478 4675	2	Pan head self-tapping screw IS-P6x32.5 (8,9)
7	9074 478 4435	2	Pan head self-tapping screw IS-P6x19 (8,9)
8	1125 640 1701	1	Chain sprocket cover (1,2,3,4,5,6,7) □ 9, 10
9	1121 648 6610	2	Bumper strip (1,2,3,4,5,6,7)
10	1125 656 1501	1	Guard (1,2,3,4,5,6,7)
11	* 1125 656 1500	1	Guard (1,2,3,4,5,6,7) (12.89)
12	* 1125 656 1505	1	Guard (1,2,3,4,5,6,7) (12.89)
13	* 9039 488 0340	1	Self-tapping screw M3x8 (1,2,3,4,5,6,7) (12.89)
14	* 1118 656 1500	1	Guard (1,2,3,4,5,6,7) → X 16 489 908 (01.87)
15	* 1121 656 1500	1	Guard (1,2,3,4,5,6,7) → X 16 489 908 (01.87)
16	* 9099 021 1760	1	Self-tapping screw 2.9x9.5 (1,2,3,4,5,6,7) → X 16 489 908 (01.87)
17	* 1117 664 1100	1	Outer side plate (1,2,3,4,5,6,7) → X 16 489 908 (01.87)

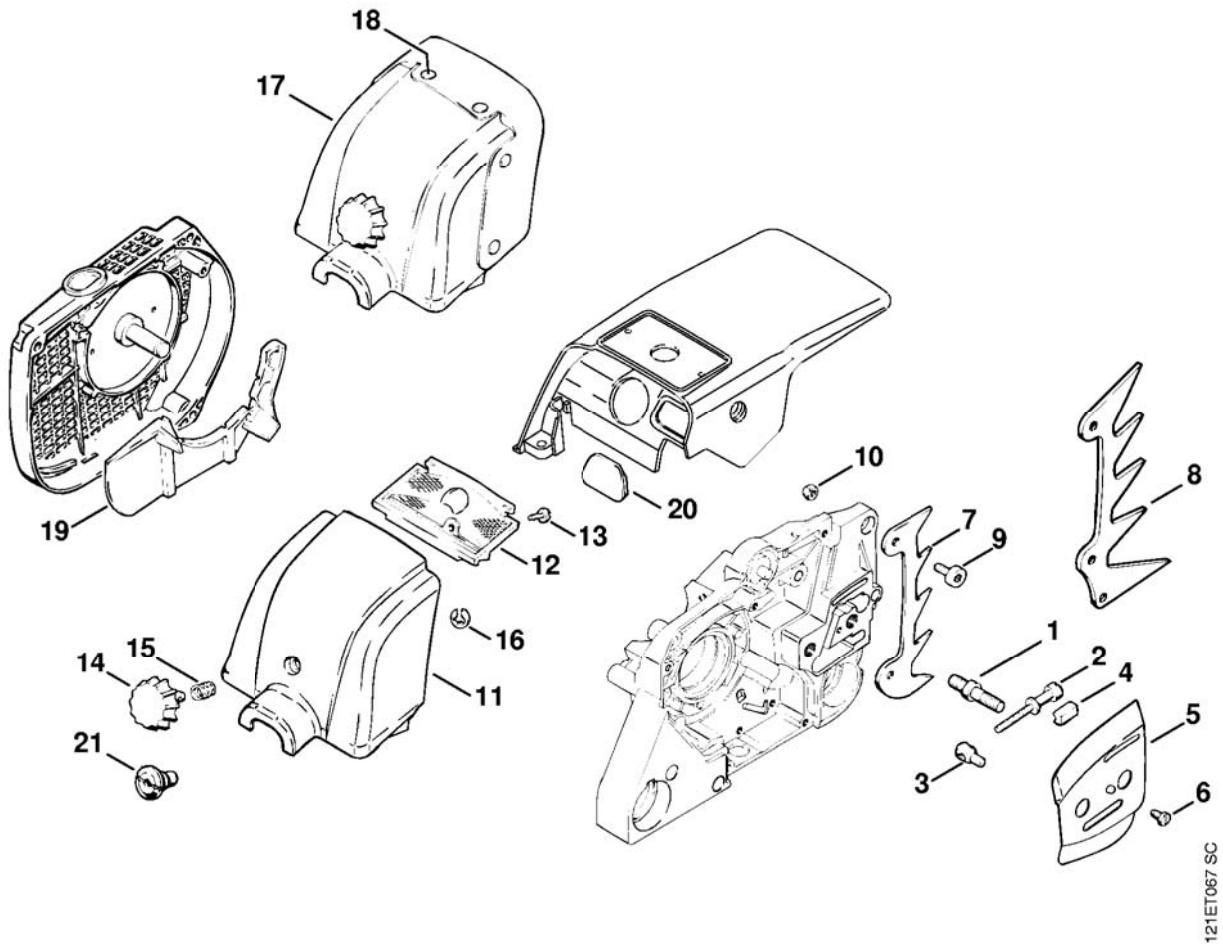
(1) 038, (2) 038 W, (3) 038 S, (4) 038 SW, (5) 038 FB, (6) 038 M, (7) 038 MW, (8) 038 MR II, (9) 038 MR



121ET066 SC

Ref.Nr.	Item code	Quantity	Description
	1122 640 1701	1	Chain sprocket cover (8,9) □ 18 - 21
18	1122 648 0401	1	Chain sprocket cover (8,9)
19	1122 656 1510	1	Guard (8,9)
20	1122 650 7700	3	Chain catcher (8,9)
21	1122 664 0501	1	Bumper spike (8,9)
22	* 1117 664 0500	3	Bumper spike (8,9) (12.89)
23	* 1115 656 2005	1	Chip guard (8,9) (12.89)
24	* 1115 656 5105	1	Clamping bar (8,9) (12.89)
25	* 9408 021 4530	1	Rivet shank 4x8x6 (8,9) (12.89)
26	* 9409 021 4440	1	Rivet head 4x11 (8,9) (12.89)
27	9008 319 0960	2	Hexagon head screw M5x12 (8,9)
28	9214 320 0700	3	Lock nut M5 (8,9)
29	0000 955 0801	2	Collar nut M8 (8,9)

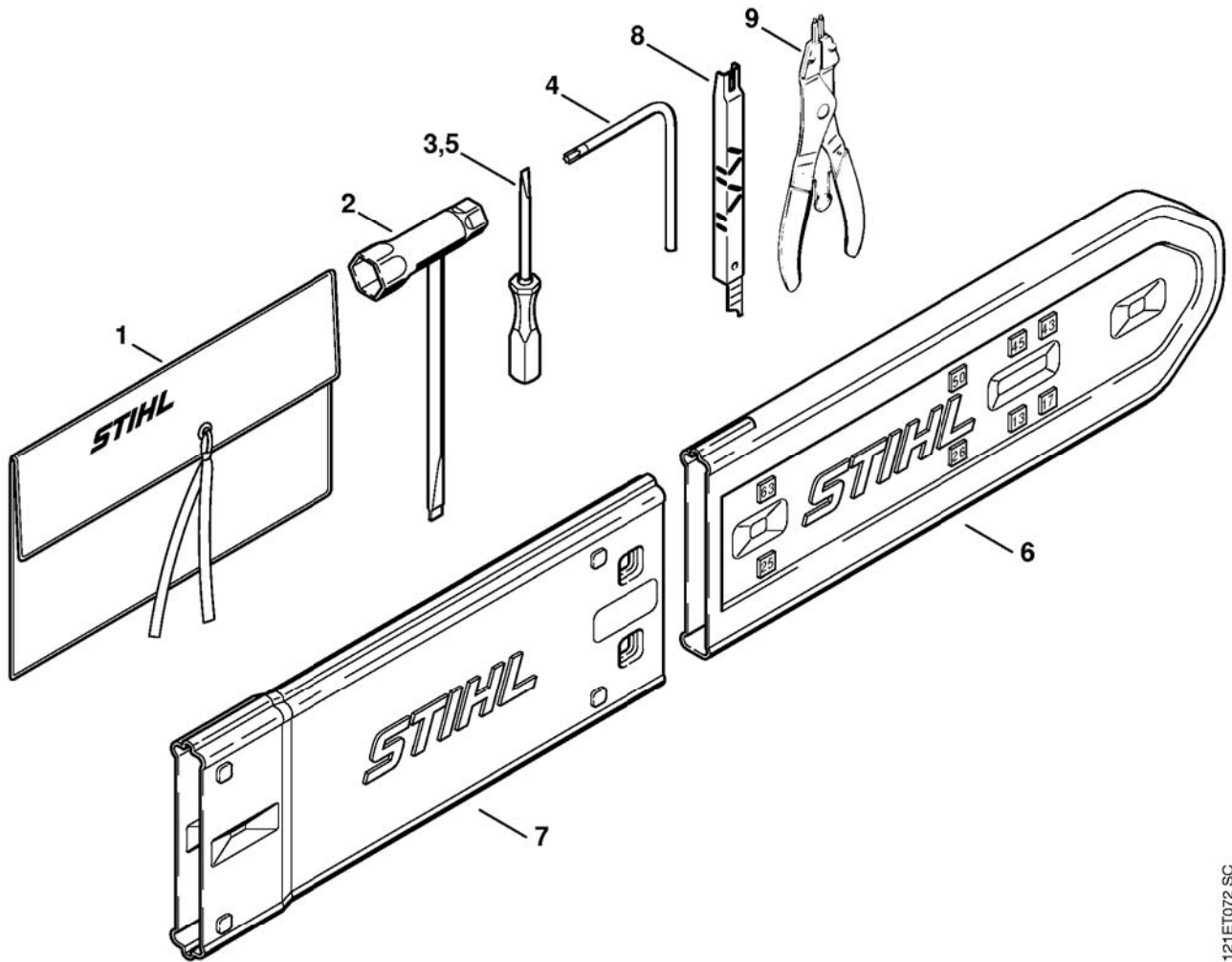
(1) 038, (2) 038 W, (3) 038 S, (4) 038 SW, (5) 038 FB, (6) 038 M, (7) 038 MW, (8) 038 MR II, (9) 038 MR



121ET067 SC

Ref.Nr.	Item code	Quantity	Description
1	0000 953 6605	2	Collar screw M8
2	1118 664 1600	1	Adjusting screw
3	1120 664 1500	1	Tensioning nut
4	1118 021 9000	1	Clamp
5	1117 664 1000	1	Inner side plate
6	9041 216 0630	1	Pan head screw M4x8
7	1128 664 0500	1	Bumper spike (1,2,3,4,5,6,7)
8	1122 664 0506	1	Bumper spike (8,9)
9	9022 341 0960	2	Spline screw IS-M5x12
10	9214 320 0700	1	Lock nut M5
11	1119 140 1904	1	Carburetor box cover □ 12 - 16
12	1119 120 1500	1	Prefilter
13	9099 021 2770	1	Self-tapping screw 3.9x13
14	1113 140 9200	1	Twist lock
15	0000 997 0927	1	Compression spring
16	9460 624 0500	1	E-clip 5
	1119 007 1004	1	Intake air preheating kit (B) □ 12 - 20
17	1119 140 1903	1	Carburetor box cover (B) □ 12 - 18
18	9409 021 4440	6	Rivet head 4x11 (B)
19	1119 084 8200	1	Cover plate (B)
20	1118 145 9000	1	Plug (B)
21	* 1118 141 8300	1	Slotted nut (5) (07.86)

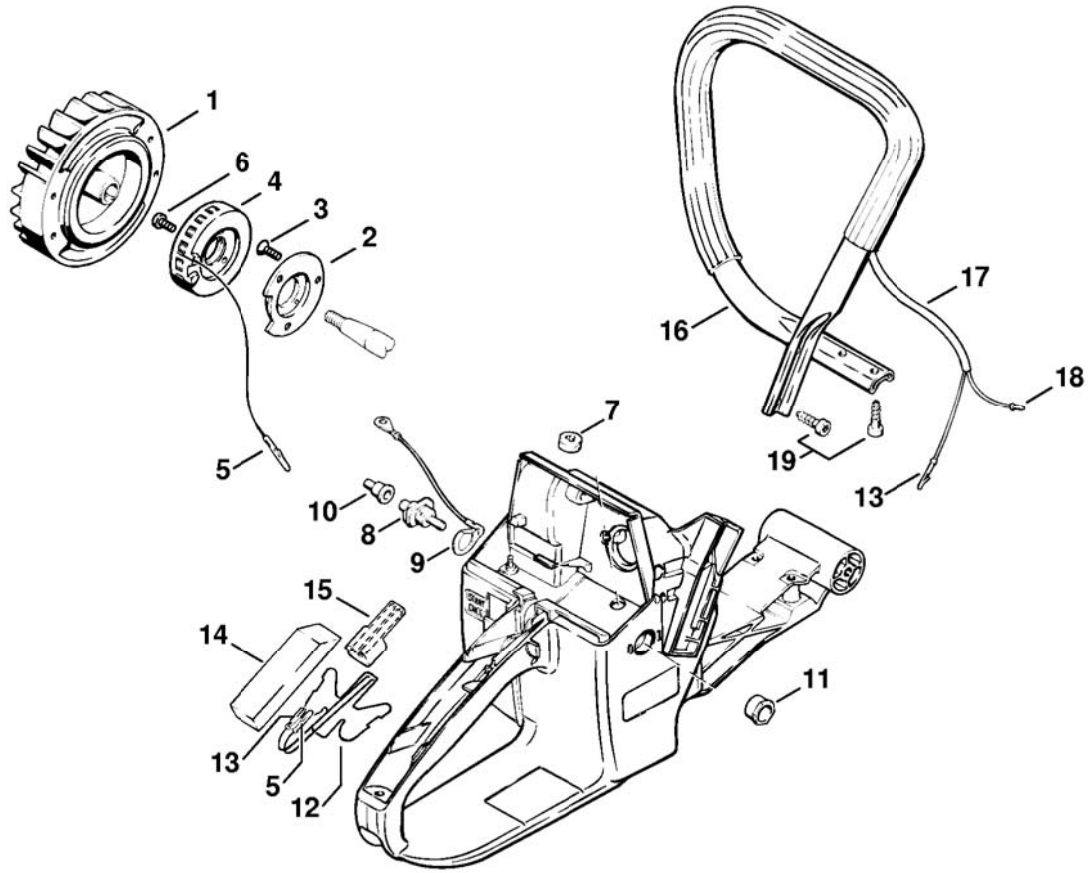
(1) 038, (2) 038 W, (3) 038 S, (4) 038 SW, (5) 038 FB, (6) 038 M, (7) 038 MW, (8) 038 MR II, (9) 038 MR



121ET072 SC

Ref.Nr.	Item code	Quantity	Description
	1121 890 1400	1	Tool kit □ 1 - 4
1	0000 891 0801	1	Tool roll
2	1129 890 3401	1	Combination wrench
3	0000 890 2300	1	Screwdriver
4	0812 370 1000	1	Screwdriver T27x120x70
5	0000 890 2305	1	Screwdriver available in Brazil only
6	0000 792 9129	1	Chain scabbard
7	0000 792 9132	1	Chain scabbard extension up to 63 cm (B)
8	1110 893 4000	1	Filing gauge (B)
9	5910 893 1805	1	Circlip pliers (B)
	1119 900 5000	1	STIHL repair kit (A,B)

(1) 038, (2) 038 W, (3) 038 S, (4) 038 SW, (5) 038 FB, (6) 038 M, (7) 038 MW, (8) 038 MR II, (9) 038 MR



121ET061 SC

Ref.Nr.	Item code	Quantity	Description
1	* 1119 400 1203	1	Flywheel (4,7)
2	* 1118 028 0700	1	Flange (4,7)
3	* 9062 319 0650	3	Countersunk screw M4x10 (4,7)
4	* 1118 400 4000	1	Generator (4,7) □ 5
5	* 1118 431 6600	1	Terminal pin (4,7)
6	* 9048 319 0650	3	Pan head screw M4x10 (4,7)
7	* 0000 989 0811	1	Grommet (4,7)
8	* 1110 430 0202	1	Stop switch (4,7)
9	* 1118 440 2205	1	Ground wire (4,7)
10	* 1110 432 9200	1	Grommet (4,7)
11	* 1118 432 2200	1	Hexagon nut M12 (4,7)
12	* 1125 434 5000	1	Heating element (4,7) □ 5, 13
13	* 1118 431 6700	1	Terminal socket (4,7)
14	* 1121 791 9000	1	Clamp (4,7)
15	* 1118 791 9001	1	Clamp (4,7)
	* 1119 007 1022	1	Handlebar kit (C) (4,7) □ 5, 12, 13, 16 - 18
16	* 1119 790 1711	1	Handlebar (C) (4,7) □ 5, 17, 18
17	* 1124 442 0400	1	Insulating hose 160mm / 6.3" (4,7)
18	* 1110 442 7000	1	Contact sleeve (4,7)
19	* 9074 478 4435	4	Pan head self-tapping screw IS-P6x19 (4,7)

(1) 038, (2) 038 W, (3) 038 S, (4) 038 SW, (5) 038 FB, (6) 038 M, (7) 038 MW, (8) 038 MR II, (9) 038 MR